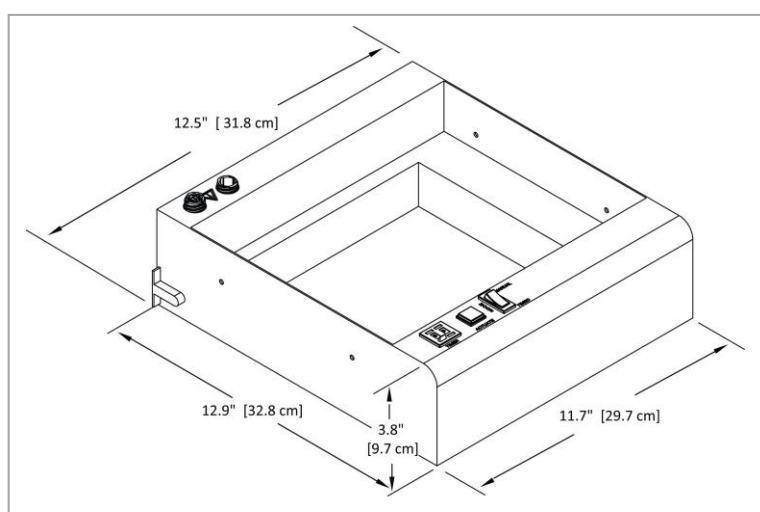


ZIP™ Shutter for Use with Dymax ECE Lamps

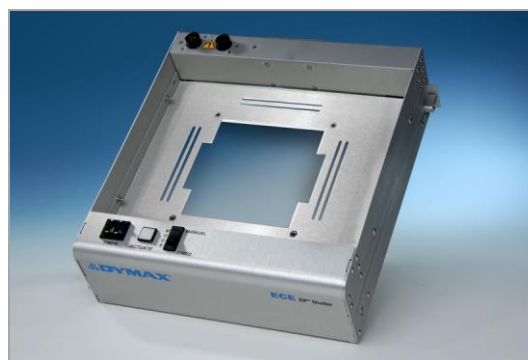
An Accessory for UV Light-Curing Control & Safety -

The Dymax ECE ZIP™ shutter is an accessory designed for use with Dymax ECE-series UV flood lamps. When used as part of a flood lamp system, this shutter allows the flood lamp to stay on continuously, eliminating the warm-up period needed each time the lamp is turned on and preventing the negative effects that repeatedly turning on and off the lamp has on the bulb. Use of a shutter in a flood lamp system also increases worker safety by preventing operator exposure to UV light. Items may be loaded and unloaded from beneath the shutter when it is shut without exposing operators to UV light. When used with an ECE Light Shield, this shutter will automatically shut and block the UV light when the light shield door is opened.



Operation of the shutter is easy and precise control of exposure times can be achieved with by using the unit's two modes of operation: Timed and Manual. In timed mode, the shutter opens by pressing a button on the front switch or by activating the remote switch (i.e. foot switch), and remains open for a user-specified period of time. In the manual mode, pressing the button on the front panel or remote switch (i.e. foot switch) opens the shutter and releasing the button closes the shutter.

Compatible Flood Lamps	Dymax ECE 2000 Flood Lamp Dymax ECE 5000 Flood Lamp
Remote Control	Via foot switch
Range	1 to 99 seconds (1 second increments)
Tolerance	± 2% (variable between different units)
Accuracy and Repeatability	For settings below 30 seconds (± 1 second) For settings above 30 seconds (± 2 seconds)
Part Number	40885 Includes shutter & foot switch with connector cable



© 2012-2013 Dymax Corporation. All rights reserved. All trademarks in this bulletin, except where noted, are the property of, or used under license by Dymax Corporation, U.S.A.

The data contained in this bulletin is of a general nature and is based on laboratory test conditions. Dymax Europe GmbH does not warrant the data contained in this bulletin. Any warranty applicable to products, its application and use is strictly limited to that contained in Dymax Europe GmbH's General Terms and Conditions of Sale published on our homepage www.dymax.com/de/pdf/dymax_europe_general_terms_and_conditions_of_sale.pdf. Dymax Europe GmbH does not assume any responsibility for test or performance results obtained by users. It is the user's responsibility to determine the suitability for the product application and purposes and the suitability for use in the user's intended manufacturing apparatus and methods. The user should adopt such precautions and use guidelines as may be reasonably advisable or necessary for the protection of property and persons. Nothing in this bulletin shall act as a representation that the product use or application will not infringe a patent owned by someone other than Dymax Corporation or act as a grant of license under any Dymax Corporation Patent. Dymax Europe GmbH recommends that each user adequately test its proposed use and application of the products before actual repetitive use, using the data contained in this bulletin as a general guide. PB034EU 3/18/2012

Dymax Corporation
860.482.1010 | info@dymax.com | www.dymax.com

Dymax Europe GmbH
+49 (0) 611.962.7900 | info_de@dymax.com | www.dymax.de

Dymax Engineering Adhesives Ireland Ltd.
+353.1.231 4696 | info_ie@dymax.com | www.dymax.com

Dymax Oligomers & Coatings
860.626.7006 | info_oc@dymax.com | www.dymax-oc.com

Dymax UV Adhesives & Equipment (Shanghai) Co. Ltd.
+86.21.37285759 | dymaxasia@dymax.com | www.dymax.com.cn

Dymax UV Adhesives & Equipment (Shenzhen) Co. Ltd.
+86.755.83485759 | dymaxasia@dymax.com | www.dymax.com.cn

Dymax Asia (H.K.) Limited
+852.2460.7038 | dymaxasia@dymax.com | www.dymax.com.cn

Dymax Asia Pacific Pte. Ltd.
+65.6752.2887 | info_ap@dymax.com | www.dymax-ap.com

Dymax Korea LLC
+82.2.784.3434 | info_kr@dymax.com | www.dymax.com/kr