

10 Gallon Stainless Steel Pressure-Tank Assembly

For applications where large amounts of material are being dispensed, Dymax offers a 10 gallon pressure-tank assembly as a material reservoir. This pressure-tank assembly is constructed of stainless steel and has a fully removable lid, allowing for an entire pail (up to 15 liters) to be placed inside. Disposable polyethylene liners can be placed into the tank, minimizing cleanup and allowing quick product changeover with little downtime.

This pressure-tank assembly's quick-connect fittings and shutoff valves on the air inlet and fluid outlet make it easy to connect and disconnect from the rest of the dispensing system. The tank's cover features an air-tight seal, eliminating leaking points or air entrapment problems. A cover-mounted air filter regulator comes standard with the tank.

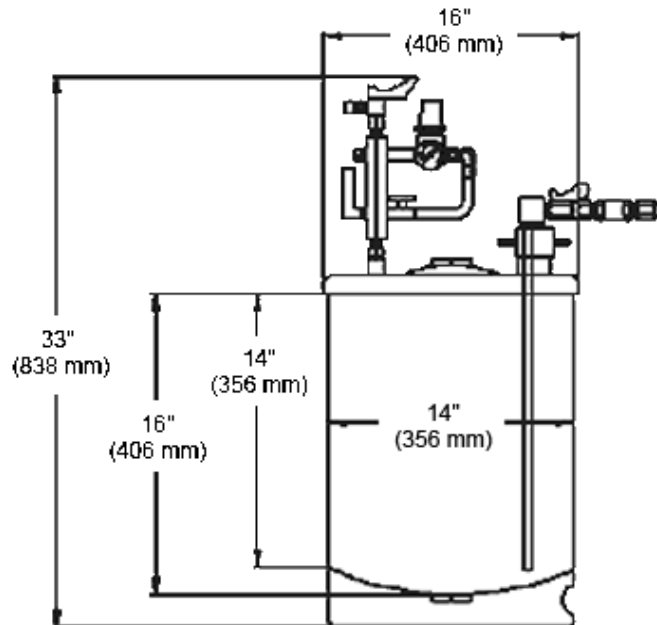


10 Gallon Stainless Steel Pressure-Tank Assembly **T16864**

Features	Benefits
UV safe, ASME certified enclosure	<ul style="list-style-type: none"> ■ Increased operator safety
Features a 110 psi air safety relief valve	<ul style="list-style-type: none"> ■ Prevents over-pressurization
Comprised of stainless steel	<ul style="list-style-type: none"> ■ Safe for use with light-curable materials and many other fluids
Air-tight cover seal	<ul style="list-style-type: none"> ■ Eliminates leaking points and air entrapment problems
Compatible with disposable liners	<ul style="list-style-type: none"> ■ Allows for minimal cleanup and quick material changeover with less downtime
Available with an optional 1 in FNPT gravity feed port	<ul style="list-style-type: none"> ■ Allows for flexibility
Optional check valve available for the bottom of the dip tube	<ul style="list-style-type: none"> ■ Fluid is only allowed to flow out of the tank
Cover-mounted precision air filter regulator	<ul style="list-style-type: none"> ■ Precise fluid control

SPECIFICATIONS

Part Number	T16864 10 Gallon Pressure Tank
Materials	Body: 304 Stainless Steel Lid Seal: Santoprene Wetted Components: 304 stainless steel, 316 stainless steel, polypropylene disposable liner (optional)
Dimensions (D X H)	Inside: 14" x 16" (35.6 cm x 40.6 cm) Outside: 16" x 33" (40.6 cm x 83.8 cm)
Maximum Tank Volume	9.8 gallons (37 liters)
Weight	76 lbs. (35 kg.)
Max Operating Pressure	60 psi (410 kPa, 0.41 Mpa, 4.1 bar)
Inline Material Filter	Standard 450 micron
Material Fitting	3/8 OD
Safety Release Valve	110 psi
Unit Warranty	1 year
Recommended Accessories	T16671 Pink Polyethylene Liner for 10 Gallon Tank



DYMAXEDGE™
LISTEN. ENVISION. DELIVER.

In addition to our dispensing line, Dymax also offers high-performance adhesives designed to rapidly bond glass, metal, and plastic substrates upon exposure to UV/Visible light and light-curing equipment. Our products are perfectly matched to work seamlessly with each other, providing design engineers with tools to dramatically improve manufacturing efficiency and reduce costs. Dymax is committed to providing the best chemistry, curing equipment, and dispensing systems that offer customers complete manufacturing solutions for their challenging applications.

DYMAX®

© 2013 Dymax Corporation. All rights reserved. All trademarks in this guide, except where noted, are the property of, or used under license by Dymax Corporation, U.S.A. Teflon® is a registered trademark of DuPont.

Please note that most dispensing and curing system applications are unique. Dymax does not warrant the fitness of the product for the intended application. Any warranty applicable to the product, its application and use is strictly limited to that contained in Dymax's standard Conditions of Sale. Dymax recommends that any intended application be evaluated and tested by the user to insure that desired performance criteria are satisfied. Dymax is willing to assist users in their performance testing and evaluation. Data sheets are available for valve controllers or pressure pots upon request. PB026DA 2/7/2013

Dymax Corporation
860.482.1010
info@dymax.com
www.dymax.com

Dymax Oligomers & Coatings
860.626.7006
oligomers&coatings@dymax.com
www.dymax-oc.com

Dymax Europe GmbH
+49 (0) 611.962.7900
info_de@dymax.com
www.dymax.de

Dymax UV Adhesives & Equipment (Shenzhen) Co Ltd
+86.755.83485759
dymaxasia@dymax.com
www.dymax.com.cn

Dymax UV Adhesives & Equipment (Shanghai) Co Ltd
+86.21.37285759
dymaxasia@dymax.com
www.dymax.com.cn

Dymax Asia (H.K.) Limited
+852.2460.7038
dymaxasia@dymax.com
www.dymax.com.cn

Dymax Korea LLC
82.2.784.3434
info@dymax.kr
www.dymax.co.kr