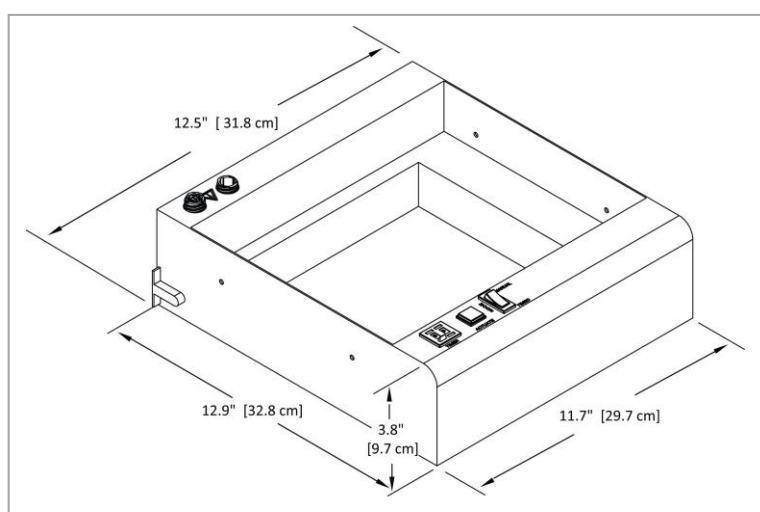


ZIP™ Shutter for Use with Dymax ECE Lamps

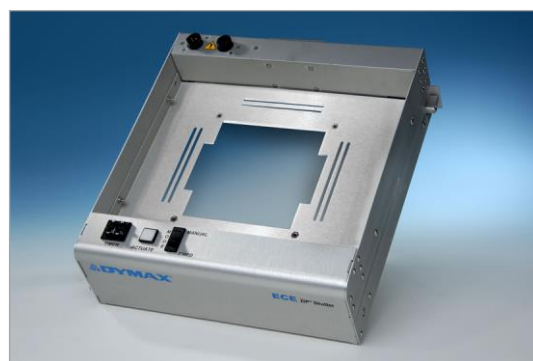
An Accessory for UV Light-Curing Control & Safety - **CE Marked**

The Dymax ECE ZIP™ shutter is an accessory designed for use with Dymax ECE-series UV flood lamps. When used as part of a flood lamp system, this shutter allows the flood lamp to stay on continuously, eliminating the warm-up period needed each time the lamp is turned on and preventing the negative effects that repeatedly turning on and off the lamp has on the bulb. Use of a shutter in a flood lamp system also increases worker safety by preventing operator exposure to UV light. Items may be loaded and unloaded from beneath the shutter when it is shut without exposing operators to UV light. When used with an ECE Light Shield, this shutter will automatically shut and block the UV light when the light shield door is opened.



Operation of the shutter is easy and precise control of exposure times can be achieved with by using the unit's two modes of operation: Timed and Manual. In timed mode, the shutter opens by pressing a button on the front switch or by activating the remote switch (i.e. foot switch), and remains open for a user-specified period of time. In the manual mode, pressing the button on the front panel or remote switch (i.e. foot switch) opens the shutter and releasing the button closes the shutter.

Compatible Flood Lamps	Dymax ECE 2000 Flood Lamp Dymax ECE 5000 Flood Lamp
Remote Control	Via foot switch
Range	1 to 99 seconds (1 second increments)
Tolerance	± 2% (variable between different units)
Accuracy and Repeatability	For settings below 30 seconds (± 1 second) For settings above 30 seconds (± 2 seconds)
Part Number	40885 Includes shutter & foot switch with connector cable



© 2013 Dymax Corporation. All rights reserved. All trademarks in this guide, except where noted, are the property of, or used under license by Dymax Corporation, U.S.A.

Please note that most dispensing and curing system applications are unique. Dymax does not warrant the fitness of the product for the intended application. Any warranty applicable to the product, its application and use is strictly limited to that contained in Dymax's standard Conditions of Sale. Dymax recommends that any intended application be evaluated and tested by the user to insure that desired performance criteria are satisfied. Dymax is willing to assist users in their performance testing and evaluation by offering equipment trial rental and leasing programs to assist in such testing and evaluations. Data sheets are available for valve controllers or pressure pots upon request. PB034DA 3/18/2012