

Model 210 High-Flow Spray Valve

The Dymax Model 210 high-flow spray valve is a unique, normally closed, stainless steel needle valve. This valve uses air pressure to atomize fluids and transfer them to a substrate. The valve has a dual-acting air cylinder that provides immediate start/stop functionality as well as a stroke adjustment, which can be used to fine tune the flow rate of the valve. The valve can be used in a wide variety of coating applications, applying any number of medium- to high-viscosity fluids including solvents, conformal coatings, protective coatings, masking resins, and lubricants generally higher than 10,000 cP.

The Model 210 valve can be fitted with numerous accessories to customize the valve for the user's application. Compatible with numerous styles of material reservoirs, this spray valve can dispense materials from a variety of different packages. The standard model is fitted with a round spray cap that provides a circular spray pattern, but an optional flat spray cap is available if a linear or flat spray pattern is preferred. A pneumatic trigger gun assembly is also available for this valve, allowing users to have manual control over the valve and its spray.



Model 210 Spray Valve with Round Cap

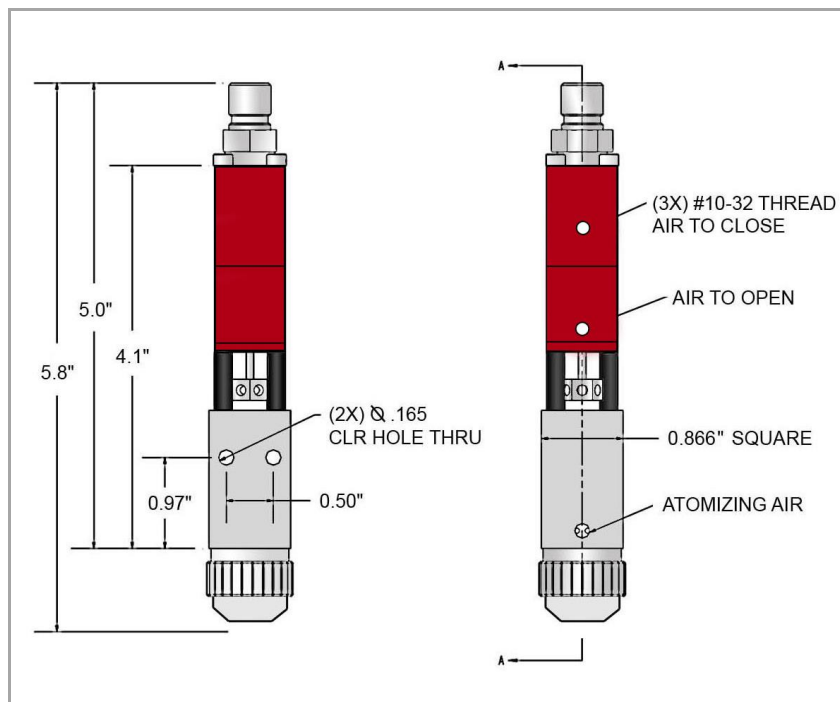


Model 210 Spray Valve with Gun Accessory

FEATURES	BENEFITS
All wetted components are stainless steel, Teflon®, or Kalrez®	<ul style="list-style-type: none"> Compatible with a greater number of fluids
Sprays medium- to high-viscosity fluids	<ul style="list-style-type: none"> Applies materials with viscosities higher than 10,000 cP
Interchangeable flat or round spray cap	<ul style="list-style-type: none"> Spray range of 0.25" (6.35 mm) to greater than 2" (50.8 mm)
Easy adjustment of material flow	<ul style="list-style-type: none"> Greater dispensing accuracy with less material waste
Able to dispense from pressurized cartridges, bottles, and pails (requires appropriate reservoir hardware)	<ul style="list-style-type: none"> Compatible with most standard fluid packages and delivery systems
Pneumatically operated	<ul style="list-style-type: none"> No electrical power required
Sealed fluid body with no exposure to ambient conditions	<ul style="list-style-type: none"> Easy shutdown and cleanup
Includes a 0.375" (9.53 mm) OD tube-to-elbow swivel material fitting	<ul style="list-style-type: none"> Material fitting maximizes and optimizes the material flow rate

SPECIFICATIONS

Part Number	T17287 High-flow spray valve, round cap
Valve Type	Normally closed, needle valve
Construction Materials	Body stainless steel, aluminum Wetted Parts 303 & 304 stainless steel, Teflon®, Kalrez®
Operating Air Pressure	60-100 psi [4.14 - 6.89 bar]
Activation, Air	2-position, 4-way air solenoid valve
Maximum Inlet Fluid Pressure	2,500 psi [172.37 bar]
Atomizing Air Consumption	1.5 cfm at 10 psi and 0.1 cfm thereafter for every 1 psi increase
Viscosity Range	10,000 – 75,000 cP or greater; rheology dependent
Spray Pattern Width	Flat 0.75" - 2+" [1.91 cm - 5.08+ cm] Round 0.25" - 2" [0.64 cm - 5.08 cm]
Dimensions (W x H x D)	0.87" x 0.87" x 5.80" [2.2 cm x 2.2 cm x 14.7 cm]
Weight	9 oz [0.26 kg]
Unit Warranty	1 year from purchase date, excluding soft seals
Recommended Accessories	T15697 Flat Spray Cap
Spare Parts	T17288 High-Flow Spray Valve Rebuild Kit



© 2012 Dymax Corporation. All rights reserved. All trademarks in this guide, except where noted, are the property of, or used under license by Dymax Corporation, U.S.A. Teflon and Kalrez are registered trademarks of DuPont Corporation.

The data contained in this bulletin is of a general nature and is based on laboratory test conditions. Dymax Europe GmbH does not warrant the data contained in this bulletin. Any warranty applicable to products, its application and use is strictly limited to that contained in Dymax Europe GmbH's General Terms and Conditions of Sale published on our homepage http://www.dymax.com/de/pdf/dymax_europe_general_terms_and_conditions_of_sale.pdf. Dymax Europe GmbH does not assume any responsibility for test or performance results obtained by users. It is the user's responsibility to determine the suitability for the product application and purposes and the suitability for use in the user's intended manufacturing apparatus and methods. The user should adopt such precautions and use guidelines as may be reasonably advisable or necessary for the protection of property and persons. Nothing in this bulletin shall act as a representation that the product use or application will not infringe a patent owned by someone other than Dymax Corporation or act as a grant of license under any Dymax Corporation Patent. Dymax Europe GmbH recommends that each user adequately test its proposed use and application of the products before actual repetitive use, using the data contained in this bulletin as a general guide.

PB013EU 4/13/2012

Dymax Corporation
860.482.1010 | info@dymax.com | www.dymax.com

Dymax Europe GmbH
+49 (0) 611.962.7900 | info_de@dymax.com | www.dymax.de

Dymax Engineering Adhesives Ireland Ltd.
+353.1.231 4696 | info_ie@dymax.com | www.dymax.ie

Dymax Oligomers & Coatings
860.626.7006 | info_oc@dymax.com | www.dymax-oc.com

Dymax UV Adhesives & Equipment (Shanghai) Co. Ltd.
+86.21.37285759 | dymaxasia@dymax.com | www.dymax.com.cn

Dymax UV Adhesives & Equipment (Shenzhen) Co. Ltd.
+86.755.83485759 | dymaxasia@dymax.com | www.dymax.com.cn

Dymax Asia (H.K.) Limited
+852.2460.7038 | dymaxasia@dymax.com | www.dymax.com.cn

Dymax Asia Pacific Pte. Ltd.
+65.6752.2887 | info_ap@dymax.com | www.dymax-ap.com

Dymax Korea LLC
+82.2.784.3434 | info_kr@dymax.com | www.dymax.com/kr