

Model 210 High-Flow Spray Valve

The Dymax Model 210 high-flow spray valve is a unique, normally closed, stainless steel needle valve. This valve uses air pressure to atomize fluids and transfer them to a substrate. The valve has a dual-acting air cylinder that provides immediate start/stop functionality as well as a stroke adjustment, which can be used to fine tune the flow rate of the valve. The valve can be used in a wide variety of coating applications, applying any number of medium- to high-viscosity fluids including solvents, conformal coatings, protective coatings, masking resins, and lubricants generally higher than 10,000 cP.

The Model 210 valve can be fitted with numerous accessories to customize the valve for the user's application. Compatible with numerous styles of material reservoirs, this spray valve can dispense materials from a variety of different packages. The standard model is fitted with a round spray cap that provides a circular spray pattern, but an optional flat spray cap is available if a linear or flat spray pattern is preferred. A pneumatic trigger gun assembly is also available for this valve, allowing users to have manual control over the valve and its spray.



Model 210 Spray Valve with Round Cap

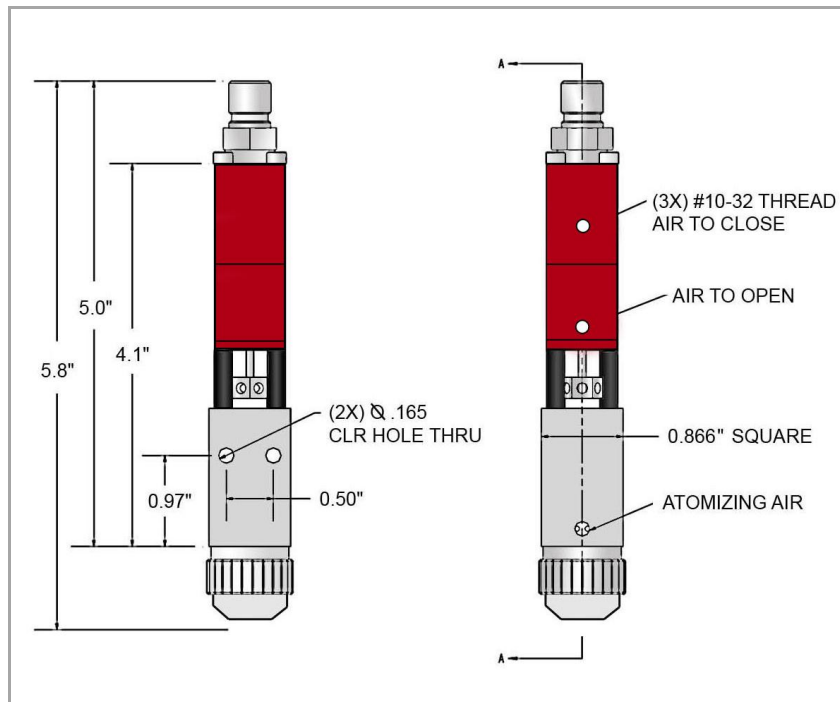


Model 210 Spray Valve with Gun Accessory

FEATURES	BENEFITS
All wetted components are stainless steel, Teflon [®] , or Kalrez [®]	<ul style="list-style-type: none"> ■ Compatible with a greater number of fluids
Sprays medium- to high-viscosity fluids	<ul style="list-style-type: none"> ■ Applies materials with viscosities higher than 10,000 cP
Interchangeable flat or round spray cap	<ul style="list-style-type: none"> ■ Spray range of 0.25" (6.35 mm) to greater than 2" (50.8 mm)
Easy adjustment of material flow	<ul style="list-style-type: none"> ■ Greater dispensing accuracy with less material waste
Able to dispense from pressurized cartridges, bottles, and pails (requires appropriate reservoir hardware)	<ul style="list-style-type: none"> ■ Compatible with most standard fluid packages and delivery systems
Pneumatically operated	<ul style="list-style-type: none"> ■ No electrical power required
Sealed fluid body with no exposure to ambient conditions	<ul style="list-style-type: none"> ■ Easy shutdown and cleanup
Includes a 0.375" (9.53 mm) OD tube-to-elbow swivel material fitting	<ul style="list-style-type: none"> ■ Material fitting maximizes and optimizes the material flow rate

SPECIFICATIONS

Part Number	T17287 High-flow spray valve, round cap
Valve Type	Normally closed, needle valve
Construction Materials	Body stainless steel, aluminum Wetted Parts 303 & 304 stainless steel, Teflon [®] , Kalrez [®]
Operating Air Pressure	60-100 psi [4.14 - 6.89 bar]
Activation, Air	2-position, 4-way air solenoid valve
Maximum Inlet Fluid Pressure	2,500 psi [172.37 bar]
Atomizing Air Consumption	1.5 cfm at 10 psi and 0.1 cfm thereafter for every 1 psi increase
Viscosity Range	10,000 – 75,000 cP or greater; rheology dependent
Spray Pattern Width	Flat 0.75" - 2+" [1.91 cm - 5.08+ cm] Round 0.25" - 2" [0.64 cm - 5.08 cm]
Dimensions (W x H x D)	0.87" x 0.87" x 5.80" [2.2 cm x 2.2 cm x 14.7 cm]
Weight	9 oz [0.26 kg]
Unit Warranty	1 year from purchase date, excluding soft seals
Recommended Accessories	T15697 Flat Spray Cap
Spare Parts	T17288 High-Flow Spray Valve Rebuild Kit



© 2012 Dymax Corporation. All rights reserved. All trademarks in this guide, except where noted, are the property of, or used under license by Dymax Corporation, U.S.A. Teflon and Kalrez are registered trademarks of DuPont Corporation.

Please note that most dispensing and curing system applications are unique. Dymax does not warrant the fitness of the product for the intended application. Any warranty applicable to the product, its application and use is strictly limited to that contained in Dymax's standard Conditions of Sale. Dymax recommends that any intended application be evaluated and tested by the user to insure that desired performance criteria are satisfied. Dymax is willing to assist users in their performance testing and evaluation by offering equipment trial rental and leasing programs to assist in such testing and evaluations. Data sheets are available for valve controllers or pressure pots upon request.

PB013DA 4/13/2012

Dymax Corporation
860.482.1010
info@dymax.com
www.dymax.com

Dymax Oligomers & Coatings
860.626.7006
oligomers&coatings@dymax.com
www.dymax-oc.com

Dymax Europe GmbH
+49 (0) 611.962.7900
info_de@dymax.com
www.dymax.de

Dymax UV Adhesives & Equipment (Shenzhen) Co Ltd
+86.755.83485759
dymaxasia@dymax.com
www.dymax.com.cn

Dymax UV Adhesives & Equipment (Shanghai) Co Ltd
+86.21.37285759
dymaxasia@dymax.com
www.dymax.com.cn

Dymax Asia (H.K.) Limited
+852.2460.7038
dymaxasia@dymax.com
www.dymax.com.cn

Dymax Korea LLC
82.2.784.3434
info@dymax.kr
www.dymax.co.kr