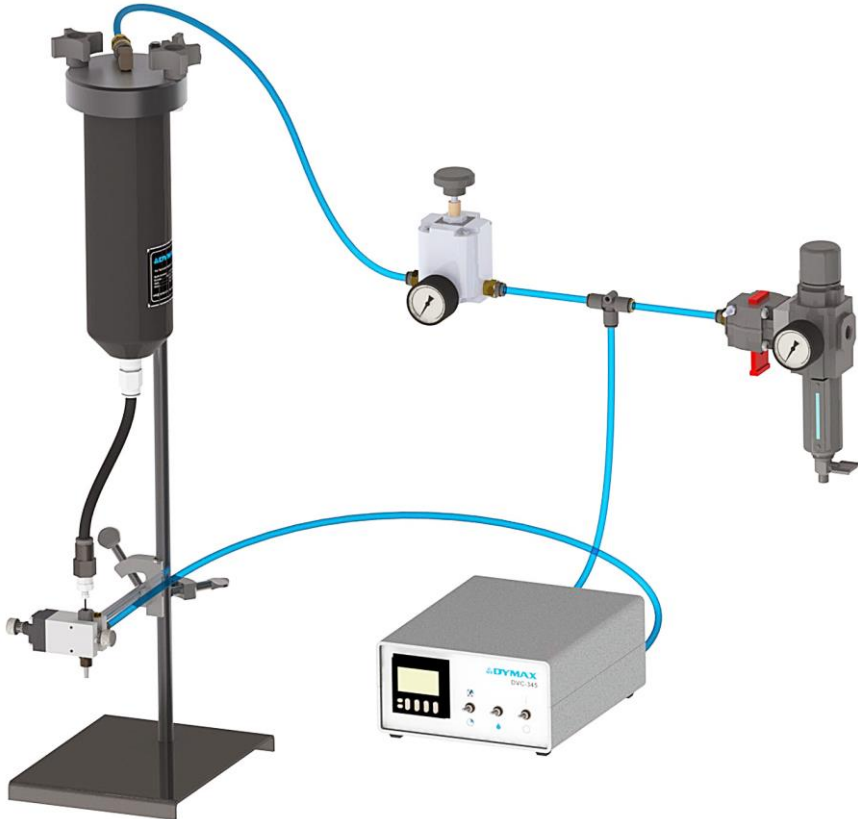


Model 455 Dispensing Systems

Systems User Guide



Contents

Safety	2
Using Safe Operating Pressures	2
Systems Using a Cartridge Retainer	3
Packaged Components	3
Assembled System	4
System Connections (All System Configurations)	4
Dispensing Tips (All System Configurations)	6
Systems Using a Bottle Drop-In Tank	7
Packaged Components	7
Assembled System	8
Installing the Fluid Line to the Reservoir	8
Systems Using a 10-Gallon Pressure Tank	9
Packaged Components	9
Assembled System	10
Installing the Fluid Line to the Reservoir	11

Safety

Using Safe Operating Pressures

Pressurizing the components in the dispensing system beyond the maximum recommended pressure can result in the rupturing of components and serious personal injury. To minimize the risk of rupturing components and injury, do not exceed the maximum operating pressure of the components in your fluid dispensing system.

Operating Specifications

Recommended compressed air supply pressure to air filter/regulator = 60 to 90 psi (4.14 to 6.21 bar)

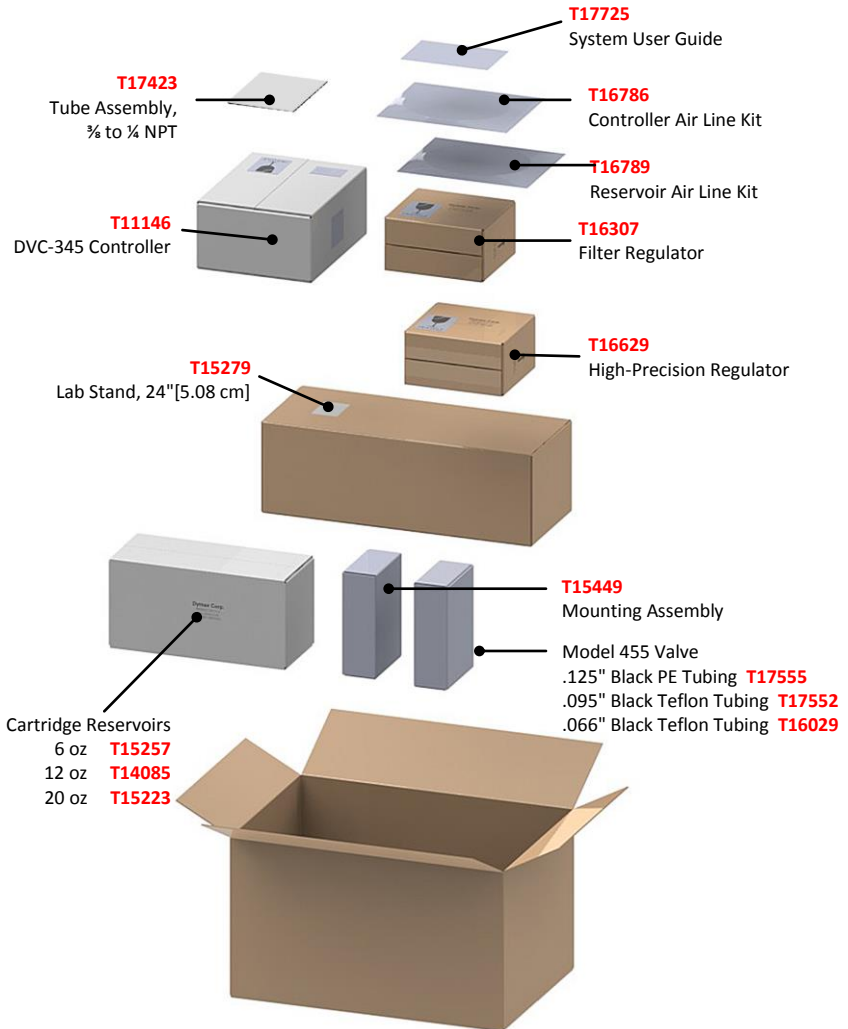
Recommended pressure setting at air filter/regulator = 75 psi (5.2 bar)

Maximum pressure setting at air filter/regulator = 100 psi (6.9 bar)

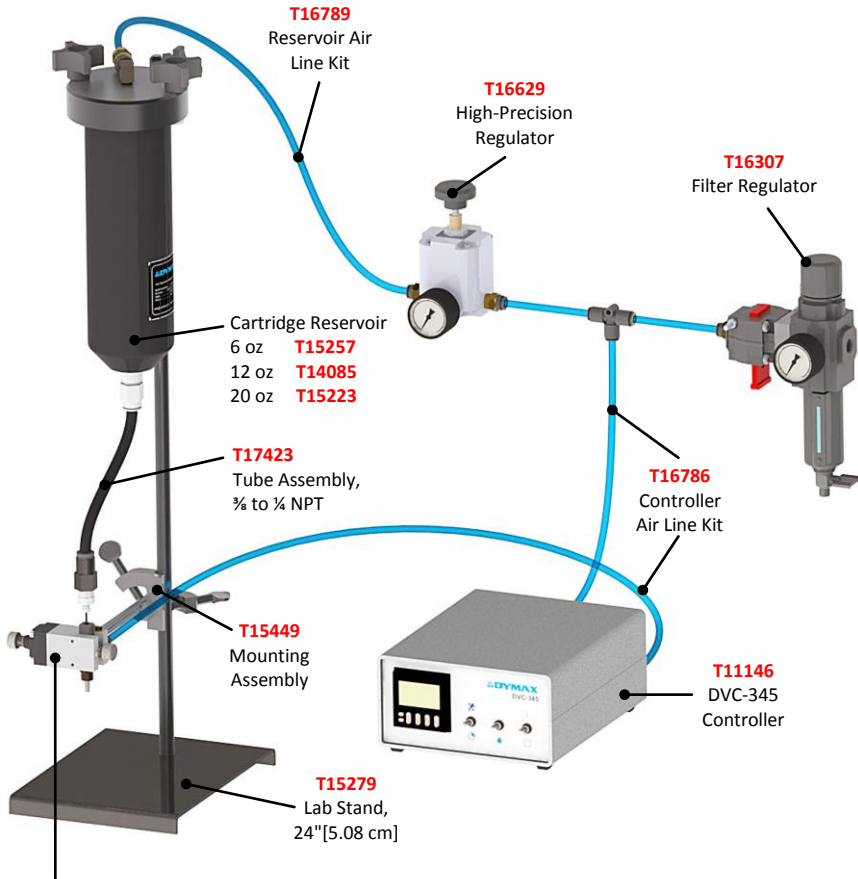
Power required = 110V power receptacle (customer supplied)

Systems Using a Cartridge Retainer

Packaged Components



Assembled System



Model 455 Valve

.125" Black PE Tubing **T17555**

.095" Black Teflon Tubing **T17552**

.066" Black Teflon Tubing **T16029**

System Connections (All System Configurations)

NOTE: Figures 1-3 apply to all systems.

Figure 1. Valve Air & Material Connections

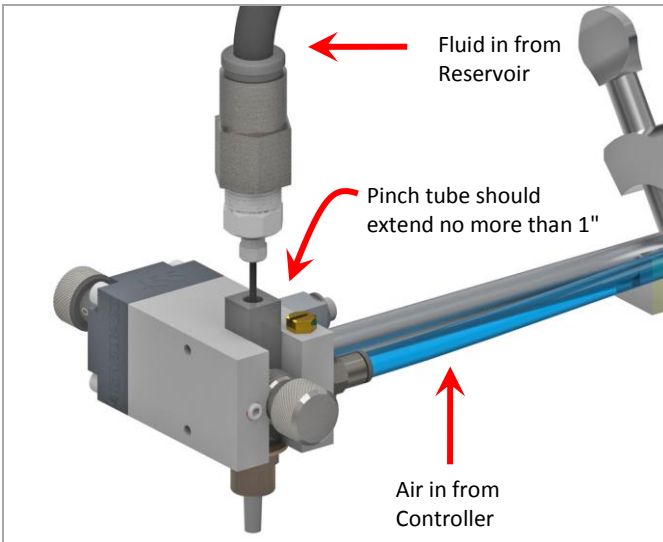


Figure 2. Controller Connections, Rear Panel

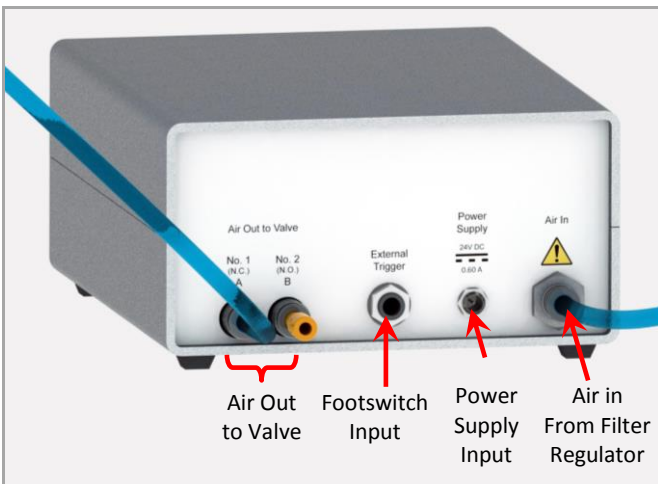
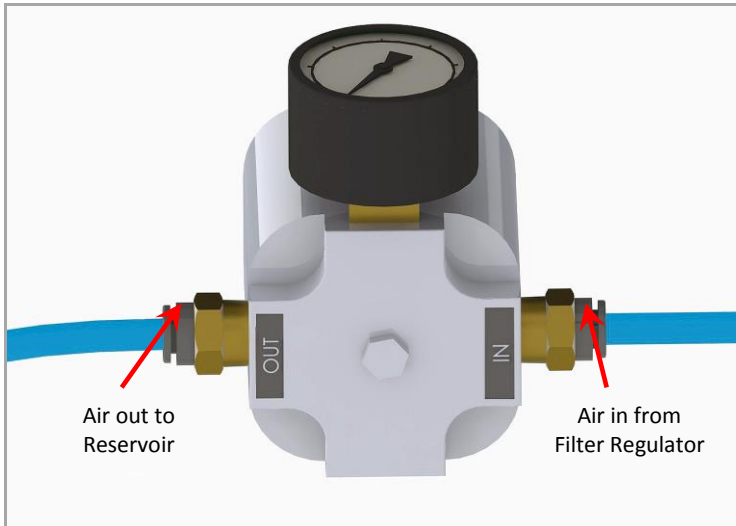


Figure 3. High-Precision Regulator Connections

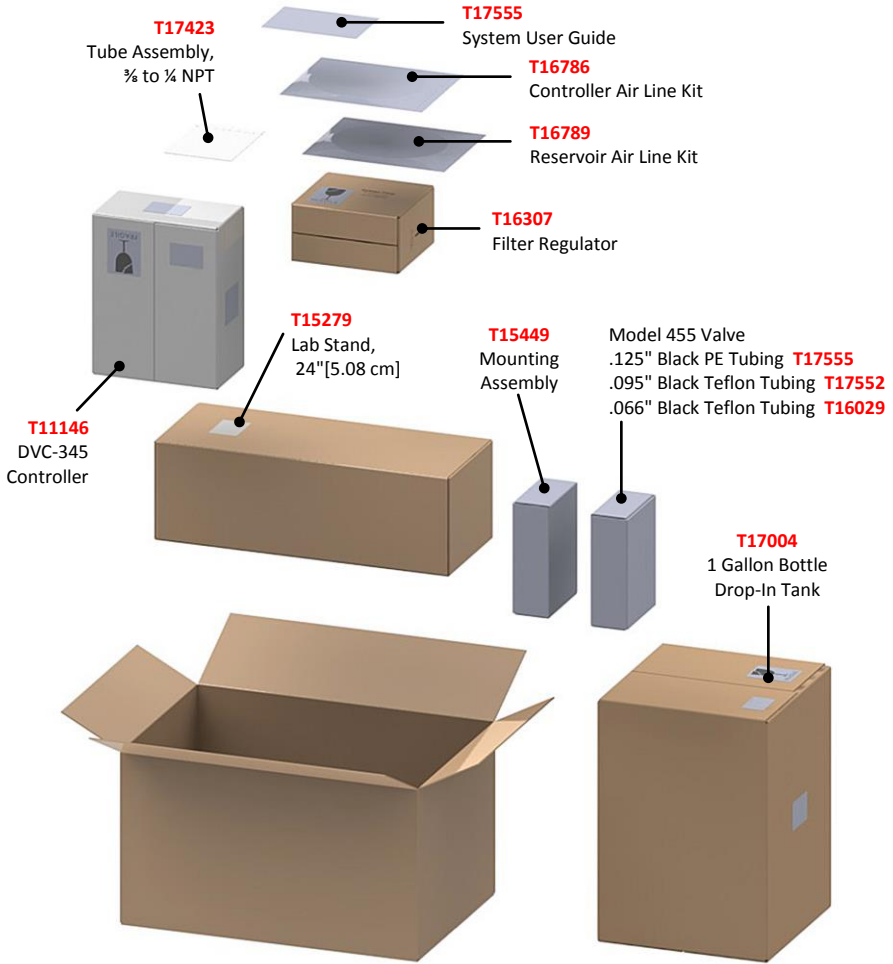
Dispensing Tips (All System Configurations)

A variety of both needle and taper dispense tips in various lengths, gauges, and shapes are available from Dymax. Tip selection is critical when precision is required and the length, shape, and size of the tip used will define the shape of the fluid deposit and the performance of your dispense system. For assistance in optimal tip selection, contact the Dymax Application Engineering team.

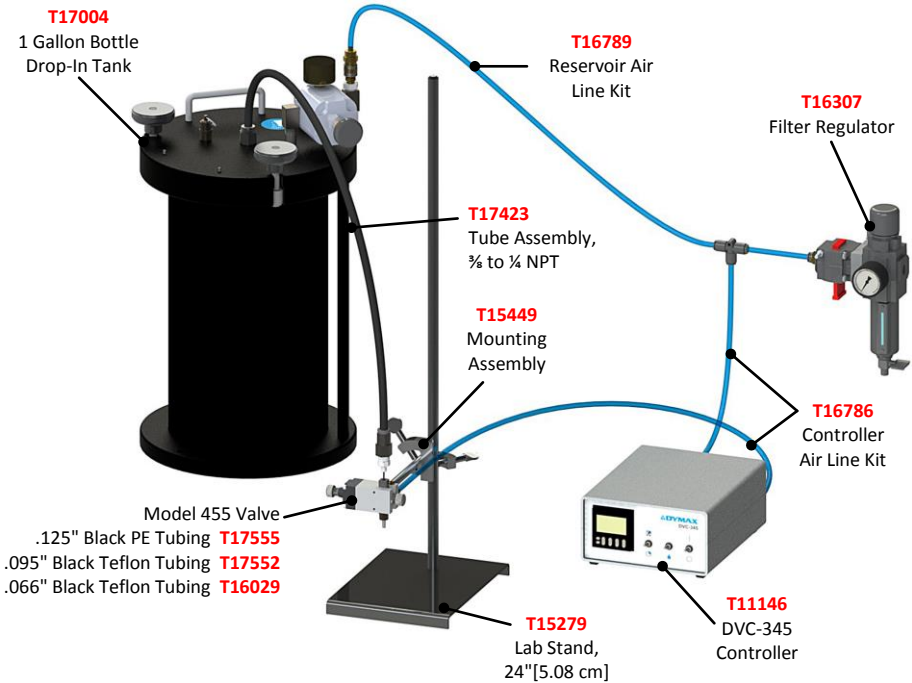
Visit www.dymax.com/dispensing_tips to see Dymax's dispensing tip selection.

Systems Using a Bottle Drop-In Tank

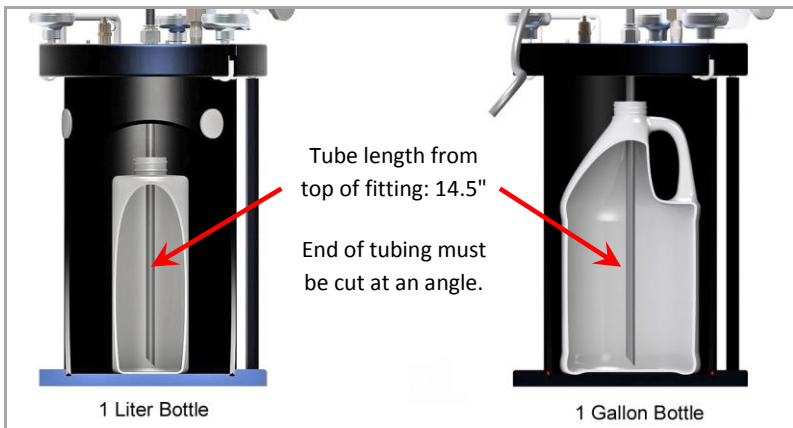
Packaged Components



Assembled System

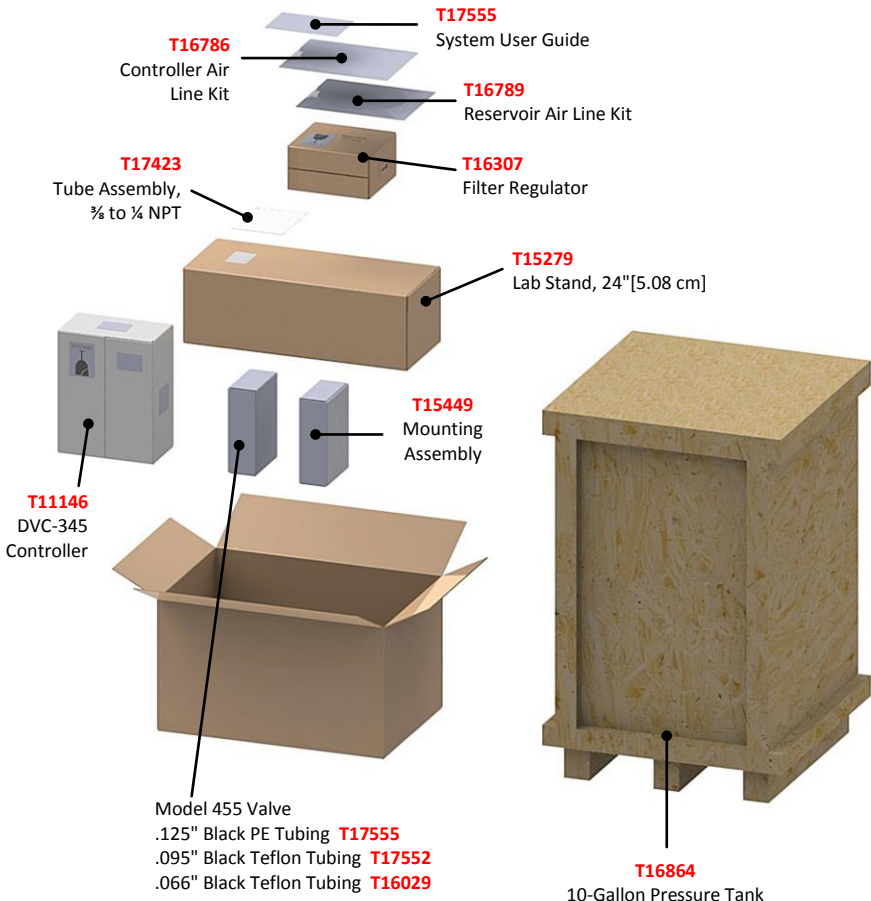


Installing the Fluid Line to the Reservoir

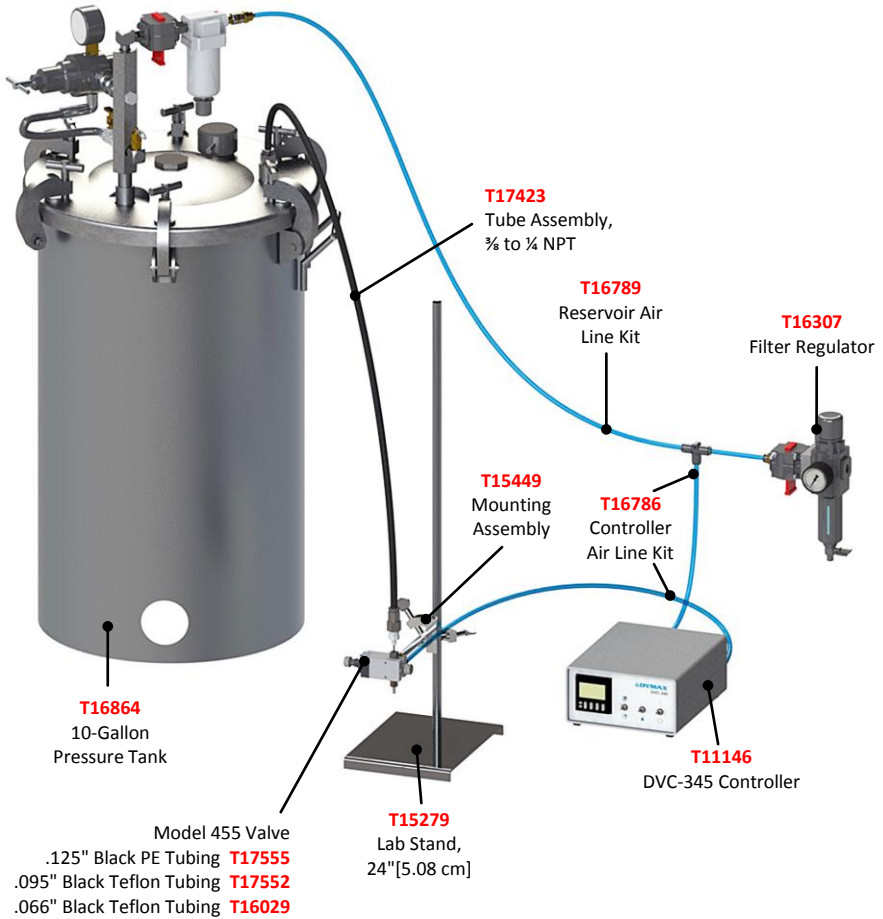


Systems Using a 10-Gallon Pressure Tank

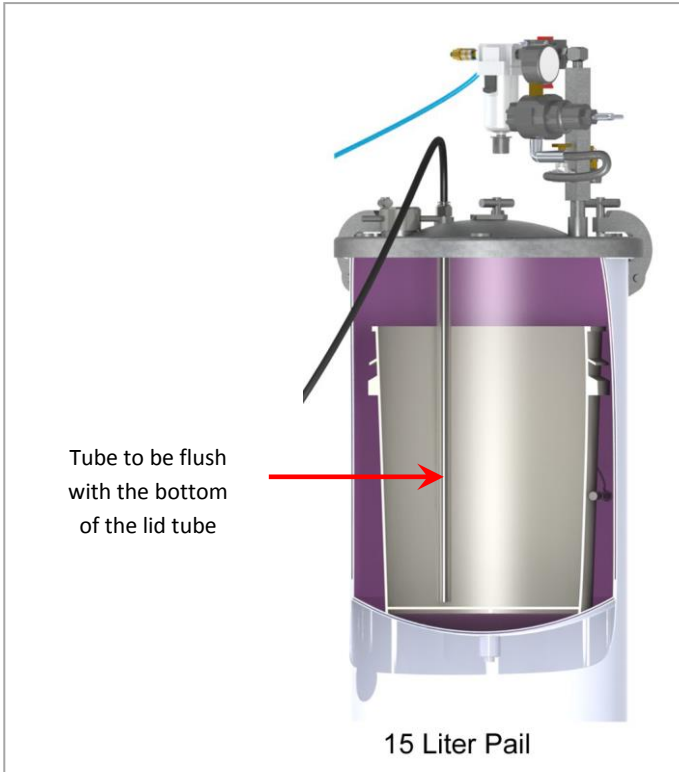
Packaged Components



Assembled System



Installing the Fluid Line to the Reservoir



Dymax Corporation

860.482.1010

info@dymax.com

www.dymax.com**Dymax Oligomers &Coatings**

860.626.7006

oligomers&coatings@dymax.com

www.dymax-oc.com**Dymax Europe GmbH**

+49 (0) 611.962.7900

info_de@dymax.com

www.dymax.de**Dymax UV Adhesives &
Equipment (Shenzhen) Co Ltd**

+86.755.83485759

dymaxasia@dymax.com

www.dymax.com.cn**Dymax UV Adhesives &
Equipment (Shanghai) Co Ltd**

+86.21.37285759

dymaxasia@dymax.com

www.dymax.com.cn**Dymax Asia (H.K.) Limited**

+852.2460.7038

dymaxasia@dymax.com

www.dymax.com.cn**Dymax Korea LLC**

82.2.784.3434

info@dymax.kr

www.dymax.co.kr

© 2013 Dymax Corporation. All rights reserved. All trademarks in this guide, except where noted, are the property of, or used under license by Dymax Corporation, U.S.A. Delrin and Teflon are registered trademarks of DuPont.

The data contained in this bulletin is of a general nature and is based on laboratory test conditions. Dymax Europe GmbH does not warrant the data contained in this bulletin. Any warranty applicable to products, its application and use is strictly limited to that contained in Dymax Europe GmbH's General Terms and Conditions of Sale published on our homepage http://www.dymax.com/de/pdf/dymax_europe_general_terms_and_conditions_of_sale.pdf. Dymax Europe GmbH does not assume any responsibility for test or performance results obtained by users. It is the user's responsibility to determine the suitability for the product application and purposes and the suitability for use in the user's intended manufacturing apparatus and methods. The user should adopt such precautions and use guidelines as may be reasonably advisable or necessary for the protection of property and persons. Nothing in this bulletin shall act as a representation that the product use or application will not infringe a patent owned by someone other than Dymax Corporation or act as a grant of license under any Dymax Corporation Patent. Dymax Europe GmbH recommends that each user adequately test its proposed use and application of the products before actual repetitive use, using the data contained in this bulletin as a general guide.

T17555 MAN061EU 5/21/2013