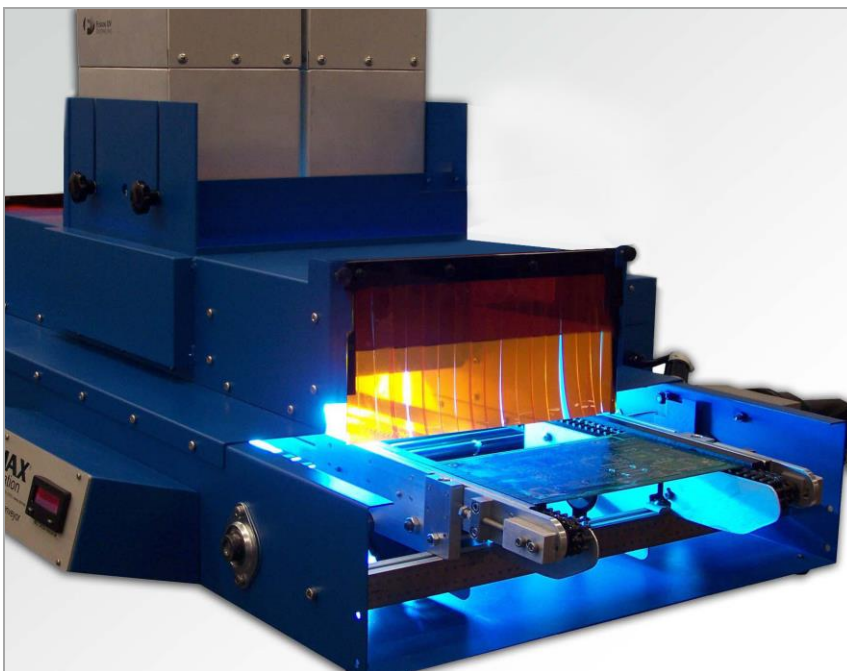


Edge-Carry UV Light-Curing Conveyor

The Dymax Edge-Carry Series of conveyors is designed for efficient curing of UV and/or visible light-sensitive adhesives, inks, and coatings. These conveyors can be outfitted with a variety of lamp configurations to address a variety of application specific requirements. They offer complete shielding from UV light and consistent cure times. Configuration options allow flexibility when defining intensity requirements to keep operating costs to a minimum. Standard height clearance is 0.75" across the entire 18" width, which is ideal for low profile parts such as PCBs, and up to 6 inches across a 13.75" width, which can be increased to either 8" or 12" with optional risers installed.



Edge-Carry Conveyor



Edge-Carry Conveyor Full Side View



Edge-Carry Conveyor Curing PCB
Front View

FEATURES	
Complete UV shielding	Built-in variable speed exhaust fan and stack
Controlled and consistent cure times	Can be outfitted with either Dymax EC series or Fusion lamps
Adjustable width to 18"	Accurate digital speed control with readout
Adjustable lamp-to-part distance	Benchtop conveyor

Choosing the Right Lamp(s) for Your Edge-Carry Conveyor

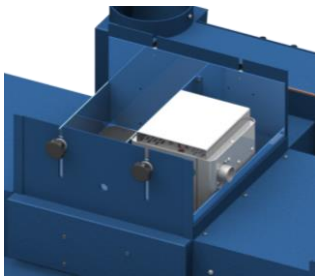
Edge-Carry series conveyors can be outfitted with Dymax 5000-EC, 2000-EC, and 1200-EC lamps, or Fusion F300 lamps.

5000-EC Lamps

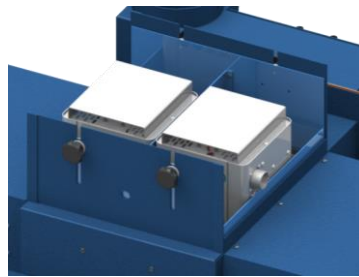
These lamps provide moderate intensity (~200 mW/cm²) over a 6" x 6" (approximate) curing area. Their 400-Watt auto-switching power supplies accept 90 to 264 Volts AC and 47 to 63 Hz. With normal use, 5000-EC bulbs will retain 90% of their original intensity after 1,000 hours.

5000-EC lamps are recommended for small-to- medium throughput bonding applications. For faster or more tack-free cures, Fusion F300 lamps are recommended.

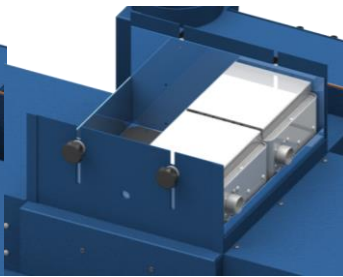
Dymax Edge-Carry series conveyors can be outfitted with one, two, or four 5000-EC lamps as shown below.



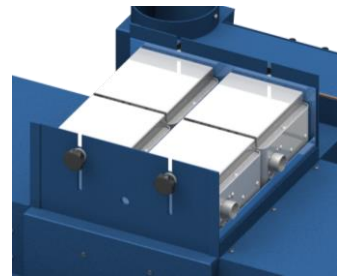
One 5000-EC lamp
center mounted
6" wide single exposure



Two 5000-EC lamps
center mounted
6" wide double exposure



Two 5000-EC lamps
full-width mounted
12" wide single exposure

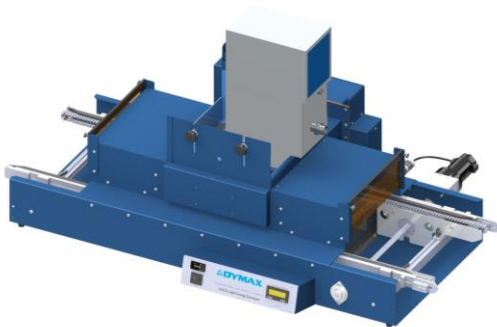


Four 5000-EC lamps
full-width mounted
12" wide double exposure

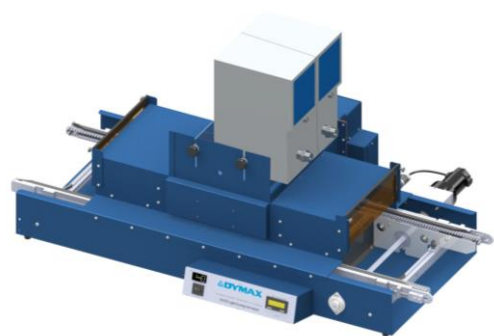
Fusion F300 Lamps

Fusion F300 lamps provide the highest intensity (~2,500 mW/cm²) over a 1" x 6" curing area. These lamps require 208 to 240 Volts AC for operation. With normal use, Fusion F300 lamps retain 80% of their intensity up to 6,000 hours. Fusion F300 lamp systems are recommended where higher energy levels are

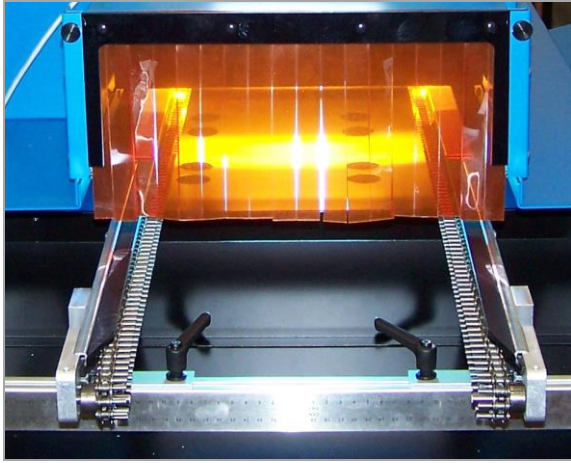
necessary to cure coating, potting, and gasketing material applications and when higher process throughput is needed. Edge-Carry Series conveyors can be outfitted with one or two Fusion F300 lamps as shown in the diagrams below.



One center-mounted Fusion F300 for 6" wide exposure



Two Fusion F300 lamp systems for 12" wide exposure



The chain rail width on the Edge-Carry conveyor is easily adjusted to accommodate various parts widths.

UVCS 5000, 1200/2000 EC, and FUSION F300 Lamp Specifications and Features

	5000-EC LAMPS								2000/1200 EC LAMPS		FUSION F300 LAMPS	
	EC-D5-1-120	EC-D5-1-230	EC-D5-2A-120	EC-D5-2A-230	EC-D5-2B-120	EC-D5-2B-230	EC-D5-4-120	EC-D5-4-230	EC-D1-1-120 EC-D1-1-230	EC-D2-1-120 EC-D2-1-230	EC-F-1-230	EC-F-2-230
Part Number	40324	40328	40325	40329	40326	40275	40327	40331	40334 40335	40332 40333	40336	40280
Maximum Chain Spacing	18"								18"			
Number of Lamps	1*		2*		2		4		1*	1*	1*	2
Lamp Orientation CM = center mounted FW = full width	CM				FW				CM	CM	CM	FW
Width of Illuminated Area	6"				12"				9"	9"	6"	12"
Maximum UVA Intensity (320-390 nm)	200 mW/cm ²								100 mW/cm ²	400 mW/cm ²	2,500 mW/cm ²	
Maximum UVA Energy (320-390 nm) @ 5 fpm (J/cm ²)	1.25		2.50		1.25		2.50		0.1	0.4	2	
Shipping Weight with Crates (lbs.)	390		410				450		390	390	475	580
Belt Speeds (feet per minute)	1-32 fpm								1-32 fpm		1-32 fpm	
Voltage (VAC)	115V	208-240V	115V	208-240V	115V	208-240V	115V	208-240V	115 or 208-240V		208-240V	
Amperage	9.6	4.8	17.6	8.8	17.6	8.8	33.6	16.8			16	32.6
Replacement Bulbs												
Metal Halide (Standard) #38560	X	X	X	X	X	X	X	X	X	X		
Mercury #36970**	X	X	X	X	X	X	X	X	X	X		
Visible #36658	X	X	X	X	X	X	X	X	X	X		
"D" Bulb (Standard) #36399											X	X
"H" Bulb #36441**											X	X
"V" Bulb #38146											X	X

*These conveyors have center-mounted lamps and are supplied with removable guides to channel parts into middle 6" of conveyor.

**These bulbs are primarily designed for curing UV inks and cationic epoxies.

Overall Dimensions for all Edge-Carry Conveyors	
59"	150 cm long
39.5"	100 cm high
35"	89 cm wide (from control panel to rear of blower)

Accessories		Part #
Risers Kit 2"	Pair	39218
Risers Kit 6"	Pair	39280
ACCU-CAL™ 150 Radiometer	1	40550
EIT PowerPuck II Radiometer	1	38129
Replacement Parts		
Acrylic Tunnel Shield	1	39205
Tunnel Light Curtain	1	39207
5000-EC	1	39241
2000-EC	1	38105
1200-EC	1	38110
F300 Fusion Lamp and Power Supply	1	36402



© 2009-2016 Dymax Corporation. All rights reserved. All trademarks in this guide, except where noted, are the property of, or used under license by Dymax Corporation, U.S.A.

Please note that most dispensing and curing system applications are unique. Dymax does not warrant the fitness of the product for the intended application. Any warranty applicable to the product, its application and use is strictly limited to that contained in Dymax's standard Conditions of Sale. Dymax recommends that any intended application be evaluated and tested by the user to insure that desired performance criteria are satisfied. Dymax is willing to assist users in their performance testing and evaluation by offering equipment trial rental and leasing programs to assist in such testing and evaluations. Data sheets are available for valve controllers or pressure pots upon request. PB023DA 12/27/2016

Dymax Corporation
+1.860.482.1010 | info@dymax.com | www.dymax.com

Dymax Europe GmbH
+49 (0) 611.962.7900 | info_de@dymax.com | www.dymax.de

Dymax Engineering Adhesives Ireland Ltd.
+353 21.237.3016 | info_ie@dymax.com | www.dymax.ie

Dymax Oligomers & Coatings
+1.860.626.7006 | info_oc@dymax.com | www.dymax-oc.com

Dymax UV Adhesives & Equipment (Shanghai) Co. Ltd.
+86.21.37285759 | dymaxasia@dymax.com | www.dymax.com.cn

Dymax UV Adhesives & Equipment (Shenzhen) Co. Ltd.
+86.755.83485759 | dymaxasia@dymax.com | www.dymax.com.cn

Dymax Asia (H.K.) Limited
+852.2460.7038 | dymaxasia@dymax.com | www.dymax.com.cn

Dymax Asia Pacific Pte. Ltd.
+65.6752.2887 | info_ap@dymax.com | www.dymax-ap.com

Dymax Korea LLC
+82.2.784.3434 | info_kr@dymax.com | www.dymax.com/kr