

SG-150 Hand-Held Standard and High-Flow Spray Gun Systems

Dymax SG-150 hand-held spray guns, available in both standard and high-flow models, provide a solution to manually spray fluids for masking and coating applications. The SG-150-RS standard-flow spray gun is ideal for dispensing fluids with viscosity lower than 10,000 cP, while the SG-150-RH is better suited for spraying fluids with viscosity of 10,000 cP and higher. Both SG-150 models utilize a normally closed, stainless steel needle valve to control fluid flow and have a dual-acting air cylinder that provides immediate start/stop functionality. A stroke adjustment on the valve can be used to fine tune the flow rate and a precision air regulator/gauge assembly simultaneously activates the atomizing air while the valve is opened and fluid is flowing. The standard model is fitted with a round spray cap that provides a circular spray pattern. An optional flat spray cap is available if a linear or flat spray pattern is preferred.

Special Features of the Spray Gun System

Dymax hand-held fluid dispensing systems are engineered for optimal performance and long service life. Key features include:

- SG-150 spray gun is available in both standard and high-flow models
- Compatibility with Dymax packages of UV/Visible light-curable conformal coatings and masking materials
- High-quality, light-blocking polyethylene fluid tubing in two sizes - $\frac{3}{8}$ " (9.5 mm) OD for maximum flow rate and $\frac{1}{4}$ " (6.3 mm) OD to provide flexibility for easy handling
- High-quality, precision air regulators supplied for precise fluid control and air atomization
- Air filter regulator includes an integrated shutoff valve and pressure exhaust to quickly and safely depressurize the system, eliminating the need for the operator to open and close the regulator
- Easy-to-open, swing-down toggles on the bottle and pail reservoirs



Spray Gun with Regulators for Manual Spraying



Typical Spray Applications

Conformal coating of circuit boards	Masking of turbines or other metal surfaces before surface treatments
Masking medical implants before finishing treatments	Spraying solvents for cleaning part surfaces
Coating large parts with grease or other lubrication before assembly	

Available System Packages*

Systems Include:

- Hand-held Spray Gun with Needle Valve and Controlling Air Regulators
- Air Filter/Regulator - 0-100 psi (0-6.9 bar)
- Spray Gun Stand
- Fluid Line Kits - 6 ft (1.8 m) of black ¼" (6.3 mm) OD tubing and ⅜" - ¼" (9.5 mm - 6.3 mm) reducer and two ⅜" - ¼" (9.5 mm - 6.3 mm) stem fitting inserts
- Fluid Line Kit - 6 ft (1.8 m) of black ⅜" (9.5 mm) OD tubing
- Air Line Kit - ¼" (6.3 mm) OD tubing with fitting on one end
- Selected Reservoir for Fluid Package Used
- Air Line Kit - ¼" (6.3 mm) OD tubing
- Air Precision Regulator - Includes three pressure gauges:
 - 0-30 psi (0-2 bar) for very low- to medium-viscosity materials
 - 0-60 psi (0-4.1 bar) for medium-viscosity materials
 - 0-100 psi (0-6.9 bar) for high-viscosity materials

Select System Based on Fluid Package Used							
System Part Numbers in Red	Cartridge Drop-In			Large Bottle Drop-In	Pail Drop-In	Mini Ram Pump	Ram Pump
	6 oz [160 mL]	12 oz [300 mL]	20 oz [550 mL]	Up to 1 Gallon	Up to 15 Liters Straight or Taper	Up to 3.8 Liters	5 Gallons
							
SG-150-RS Standard-Flow Spray System (use with materials <10,000 cP)	T18440	T18445	T18450	T18455	T18465	-	-
SG-150-RH High-Flow Spray System (use with materials >10,000 cP)	T18442	T18446	T18451	T18456	T18466	T17848	T18470 (Straight) T18471 (Tapered)



6 oz (160 mL)



12 oz (300 mL)



20 oz (550 mL)



Bottle Drop-In Reservoir



Pail Drop-In Reservoir



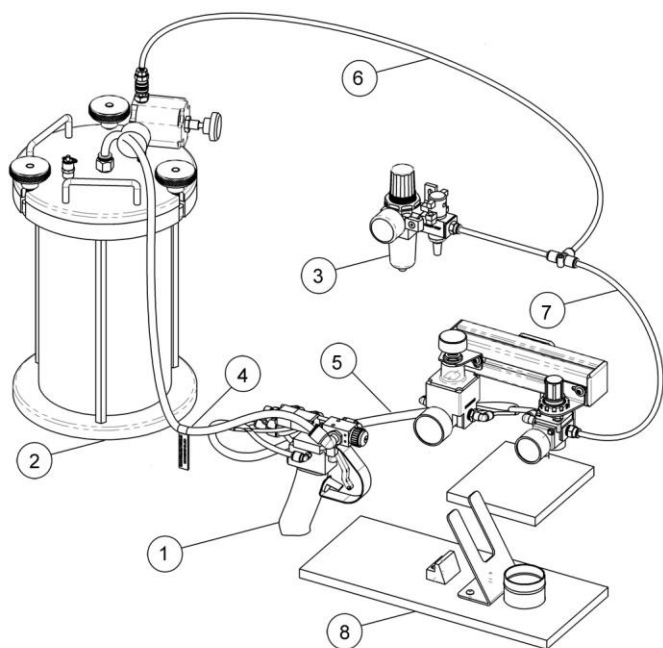
Mini Ram Pump



Ram Pump

* Complete systems without a gun assembly are available upon request. Contact Dymax Application Engineering for more information.

Representative SG100-RS Spray Dispensing System (T18455 with Large Bottle Reservoir Shown Below)

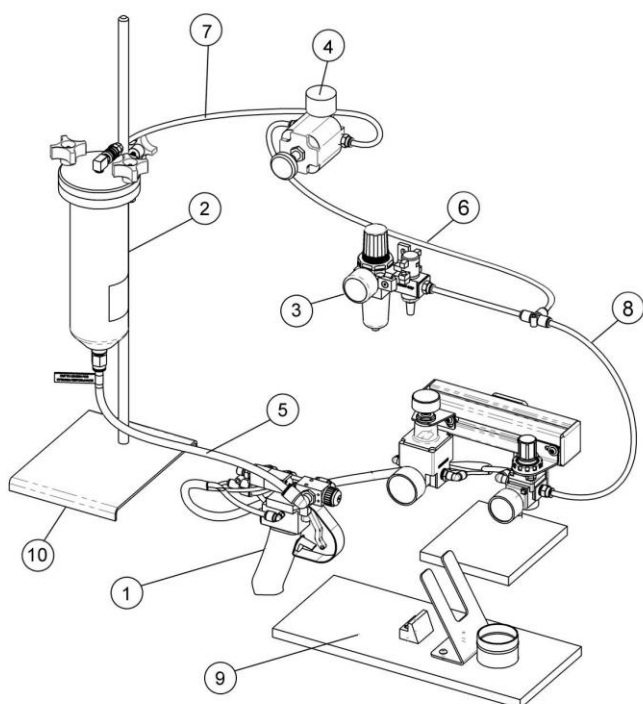


Item	Part Number	Description
1	T16624	SG-150-RS Standard-Flow Spray Gun with Round Air Cap
2	T17004	Large Bottle Drop-In Tank Assembly with High-Precision Regulator
3	T16307	Filter Regulator
4	T16787	6 Ft (1.8 m) of Fluid Line Kit - Black 3/8" (9.5 mm) OD PE
5	T16793	6 Ft (1.8 m) of Fluid Line Kit - Black 1/4" (6.3 mm) OD PE
6	T16789	Reservoir Air Line Kit
7	T16786	Control Air Line Kit
8	T15454	Spray Gun Stand

System Specifications

Compressed Air Supply	80 to 100 psi (5.5 to 6.9 bar)
-----------------------	--------------------------------

Representative SG100-RH Spray Dispensing System (T18451 with Cartridge Reservoir Shown Below)



Item	Part Number	Description
1	T16928	SG-150-RH High-Flow Spray Gun with Round Air Cap
2	T15223	550 mL (20 oz) Reservoir
3	T16307	Filter Regulator
4	T16629	High-Precision Regulator
5	T16787	6 Ft (1.8 m) of Fluid Line Kit - Black 3/8" (9.5 mm) OD PE
6	T16793	6 Ft (1.8 m) of Fluid Line Kit - Black 1/4" (6.3 mm) OD PE
7	T16789	Reservoir Air Line Kit
8	T16786	Control Air Line Kit
9	T15454	Spray Gun Stand
10	T15279	24" (610 mm) Lab Stand

System Specifications

Compressed Air Supply	80 to 100 psi (5.5 to 6.9 bar)
-----------------------	--------------------------------

System Accessories



Flat Spray Air Cap **T15697**



Front Closing Stand
with Drip Cup **T15454**



Air Filter Regulator with
Air Shut Off **T16307**



High-Precision Air Regulator
for Fluid Pressure **T16629**



Fluid Line Kit - 3/8" (9.5 mm) OD,
Polyethylene **T16787**



Fluid Line Kit - 1/4" (6.3 mm) OD,
Polyethylene **T16793**

Spare Parts

Description	Part Numbers
Valves	
Standard-Flow Spray Valve	T16396
High-Flow Spray Valve	T17287
Misc.	
Collar, Air Cap Fasten	T17304

Description	Part Numbers
Valve Rebuild Kits	
Standard-Flow Spray Valve Rebuild Kit	T15696
High-Flow Spray Valve Rebuild Kit	T17288



© 2016-2017 Dymax Corporation. All rights reserved. All trademarks in this guide, except where noted, are the property of, or used under license by Dymax Corporation, U.S.A.

Please note that most dispensing and curing system applications are unique. Dymax does not warrant the fitness of the product for the intended application. Any warranty applicable to the product, its application and use is strictly limited to that contained in Dymax's standard Conditions of Sale. Dymax recommends that any intended application be evaluated and tested by the user to insure that desired performance criteria are satisfied. Dymax is willing to assist users in their performance testing and evaluation by offering equipment trial rental and leasing programs to assist in such testing and evaluations. Data sheets are available for valve controllers or pressure pots upon request. PB006DA 10/11/2017

Dymax Corporation
+1.860.482.1010 | info@dymax.com | www.dymax.com

Dymax Europe GmbH
+49 (0) 611.962.7900 | info_de@dymax.com | www.dymax.de

Dymax Engineering Adhesives Ireland Ltd.
+353 21.237.3016 | info_ie@dymax.com | www.dymax.ie

Dymax Oligomers & Coatings
+1.860.626.7006 | info_oc@dymax.com | www.dymax-oc.com

Dymax UV Adhesives & Equipment (Shanghai) Co. Ltd.
+86.21.37285759 | dymaxasia@dymax.com | www.dymax.com.cn

Dymax UV Adhesives & Equipment (Shenzhen) Co. Ltd.
+86.755.83485759 | dymaxasia@dymax.com | www.dymax.com.cn

Dymax Asia (H.K.) Limited
+852.2460.7038 | dymaxasia@dymax.com | www.dymax.com.cn

Dymax Asia Pacific Pte. Ltd.
+65.6752.2887 | info_ap@dymax.com | www.dymax-ap.com

Dymax Korea LLC
+82.2.784.3434 | info_kr@dymax.com | www.dymax.com/kr