

## BlueWave<sup>®</sup> QX4<sup>®</sup> Wand Upgrade Kit Installation Instructions

1. Unpack your upgrade kit. The kit contains a strap wrench and upgraded collimator and lens.
2. Unplug the LED wands needing upgrading from the rear of the BlueWave<sup>®</sup> QX4<sup>®</sup> unit.

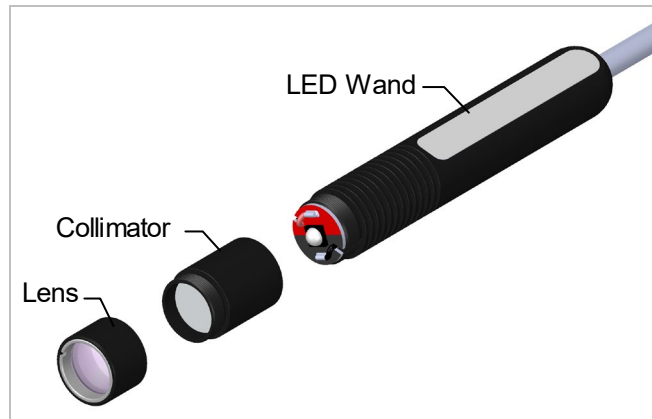


Figure 1. BlueWave<sup>®</sup> QX4<sup>®</sup> Wand Components

1. Remove the original collimator and the lens from the wand. This can be done by loosening the collimator counterclockwise with the strap wrench provided in the kit (Figure 2). If needed, a small wrench may be used to hold the body of the wand on the flat sides to provide leverage.
2. Carefully thread the collimator to the wand by hand and tighten using the strap wrench in a clockwise direction. Snugly install the new collimator (Figure 3).
3. Install the focusing lens by hand, do not overtighten.

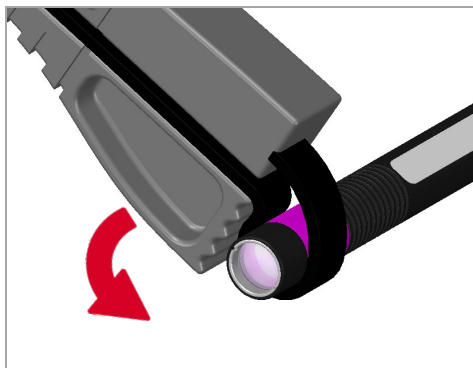


Figure 2. Remove Collimator and Lens

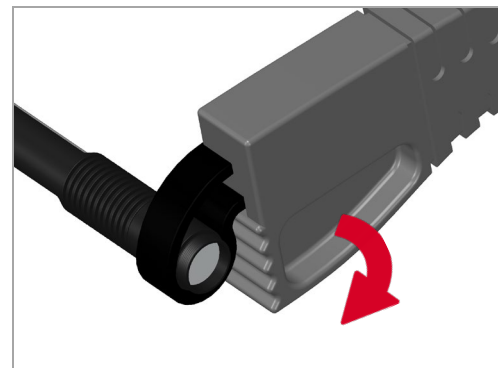


Figure 3. Install the New Collimator

© 2019 Dymax Corporation. All rights reserved. All trademarks in this guide, except where noted, are the property of, or used under license by Dymax Corporation, U.S.A.

Please note that most dispensing and curing system applications are unique. Dymax does not warrant the fitness of the product for the intended application. Any warranty applicable to the product, its application and use is strictly limited to that contained in Dymax's standard Conditions of Sale. Dymax recommends that any intended application be evaluated and tested by the user to ensure that desired performance criteria are satisfied. Dymax is willing to assist users in their performance testing and evaluation by offering equipment trial rental and leasing programs to assist in such testing and evaluations. Data sheets are available for valve controllers or pressure pots upon request. 4/15/2019 QS087

Dymax Corporation  
+1.860.482.1010 | [info@dymax.com](mailto:info@dymax.com) | [www.dymax.com](http://www.dymax.com)

Dymax Europe GmbH  
+49 611.962.7900 | [info\\_de@dymax.com](mailto:info_de@dymax.com) | [www.dymax.de](http://www.dymax.de)

Dymax Engineering Adhesives Ireland Ltd.  
+353 21.237.3016 | [info\\_ie@dymax.com](mailto:info_ie@dymax.com) | [www.dymax.ie](http://www.dymax.ie)

Dymax Oligomers & Coatings  
+1.860.626.7006 | [info\\_oc@dymax.com](mailto:info_oc@dymax.com) | [www.dymax-oc.com](http://www.dymax-oc.com)

Dymax UV Adhesives & Equipment (Shanghai) Co. Ltd.  
+86.21.37285759 | [dymaxasia@dymax.com](mailto:dymaxasia@dymax.com) | [www.dymax.com.cn](http://www.dymax.com.cn)

Dymax UV Adhesives & Equipment (Shenzhen) Co. Ltd.  
+86.755.83485759 | [dymaxasia@dymax.com](mailto:dymaxasia@dymax.com) | [www.dymax.com.cn](http://www.dymax.com.cn)

Dymax Asia (H.K.) Limited  
+852.2460.7038 | [dymaxasia@dymax.com](mailto:dymaxasia@dymax.com) | [www.dymax.com.cn](http://www.dymax.com.cn)

Dymax Asia Pacific Pte. Ltd.  
+65.6752.2887 | [info\\_ap@dymax.com](mailto:info_ap@dymax.com) | [www.dymax-ap.com](http://www.dymax-ap.com)

Dymax Korea LLC  
+82.2.784.3434 | [info\\_kr@dymax.com](mailto:info_kr@dymax.com) | [www.dymax.com/kr](http://www.dymax.com/kr)