

A close-up photograph of the Model 828 valve, a rectangular metal component with a black faceplate and two orange-tipped ports. A blue dotted line points from the valve towards the top right of the page.

## Model 828

### Disposable Fluid Path Valve

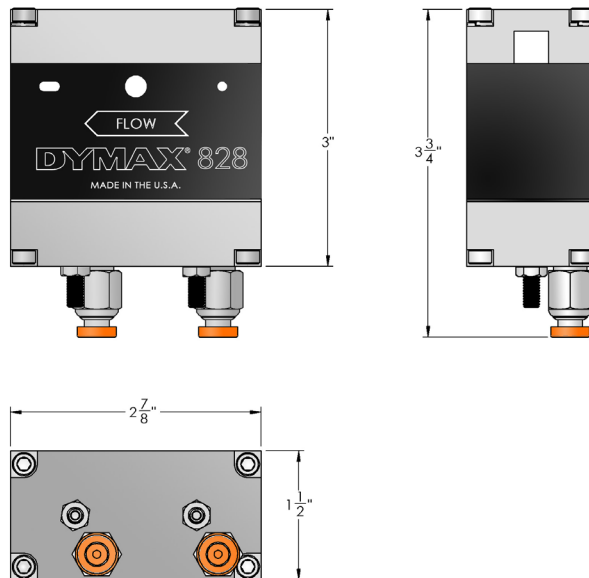
- Ideal for low- to high-viscosity materials
- Features a disposable fluid path that carries materials from the material reservoir to the dispense tip, preventing contamination and air entrapment
- Valve design allows for easy product changeover with minimal cleanup
- Fluid never comes into direct contact with the valve, reducing valve maintenance and extending the life of the valve
- Over-pinch adjustment prevents damage to the tube, extending its life, and cutting down on necessary replacement
- Adjustable suck-back control eliminates drooling and filming over of the nozzle for a clean, drop-free dispense when dispensing thin or stringy materials
- Compatible with most standard fluid packages and delivery systems
- Lightweight, easy-to-handle and mount in automated or bench-top systems

The Model 828 normally open disposable fluid path valve is designed to provide larger flow rates while still maintaining precise control over material flow rate. This dual-piston pinch valve can be used with many low-to-high viscosity materials and features a suck-back control so it can handle stringy and tacky materials with no mess.

The valve also features a disposable fluid path which carries materials from the material reservoir to the dispense tip. Fluids are sealed within the fluid path, preventing contact with the valve's inner components and ensuring a contaminate-free dispensing process. The fluid path is easy to replace and requires minimum clean up, allowing for rapid material changeover. The standard Model 828 valve is supplied with black polyethylene tubing but fluid paths of varying materials and sizes can be ordered for optimum material compatibility. This valve is compatible with a maximum tubing size of 0.375" [9.53 mm] OD.

The Model 828 valve can be integrated into an automated dispensing system and controlled with a four-way solenoid valve or paired with the Dymax DVC-345 Digital Valve Controller and a material reservoir to create a bench-top dispensing system.

Specifications	
Part Number	T17057
Valve Type	Pinch valve with disposable fluid path
Construction Materials	Anodized Aluminum
Operating Air Pressure	75-100 psi [5-7 bar]
Activation	Valve controller or 4-way solenoid valve
Maximum Inlet Fluid Pressure	Tubing dependent; 100 psi [7 bar] typical
Maximum Operating Temperature	150°F [65°C]
Air Inlet	Accepts 0.156" [0.40 cm] OD, others available
Dimensions (W x H x D)	2.98" x 2.91" x 1.50" [7.57 cm x 7.39 cm x 3.81 cm]
Weight	0.5 lb. [0.23 kg]
Unit Warranty	1 year from purchase date
Spare Parts & Accessories	T11146 DVC-345 digital valve controller T15225 Black polyethylene tubing Kit, 0.375" [0.95 cm] OD



[www.dymax.com](http://www.dymax.com)

#### Americas

USA | +1.860.482.1010 | [info@dymax.com](mailto:info@dymax.com)

#### Europe

Germany | +49 611.962.7900 | [info\\_de@dymax.com](mailto:info_de@dymax.com)  
Ireland | +353 21.237.3016 | [info\\_ie@dymax.com](mailto:info_ie@dymax.com)

#### Asia

Singapore | +65.67522887 | [info\\_ap@dymax.com](mailto:info_ap@dymax.com)  
Shanghai | +86.21.37285759 | [dymaxasia@dymax.com](mailto:dymaxasia@dymax.com)  
Shenzhen | +86.755.83485759 | [dymaxasia@dymax.com](mailto:dymaxasia@dymax.com)  
Hong Kong | +852.2460.7038 | [dymaxasia@dymax.com](mailto:dymaxasia@dymax.com)  
Korea | +82.31.608.3434 | [info\\_kr@dymax.com](mailto:info_kr@dymax.com)

©2013-2020 Dymax Corporation. All rights reserved. All trademarks in this guide, except where noted, are the property of, or used under license by, Dymax Corporation, U.S.A.

Please note that most dispensing system applications are unique. Dymax does not warrant the fitness of the product for the intended application. Any warranty applicable to the product, its application and use is strictly limited to that contained in Dymax standard Conditions of Sale published on our website. Dymax recommends that any intended application be evaluated and tested by the user to ensure that desired performance criteria are satisfied. Dymax is willing to assist users in their performance testing and evaluation. Data sheets are available for valve controllers or pressure pots upon request.

PB029DA 1/11/2013