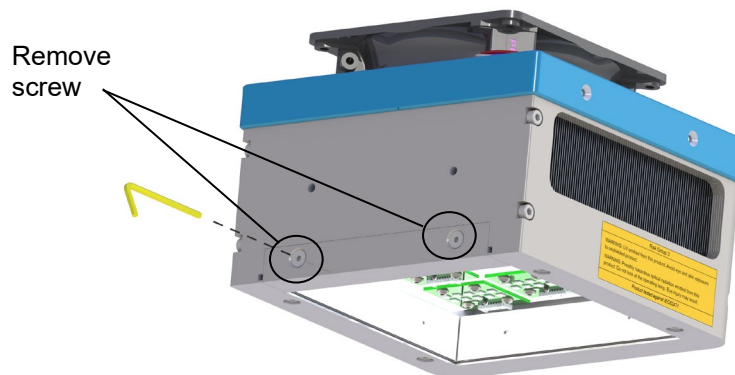
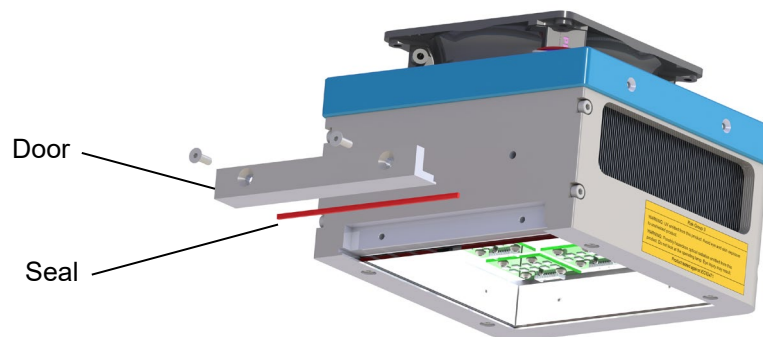


BlueWave[®] AX-550 Glass Replacement Instructions

1. Before starting, disconnect power to the unit.
2. Remove door retaining screws. Using the supplied allen wrench (2.5 mm), remove the two screws holding the door.

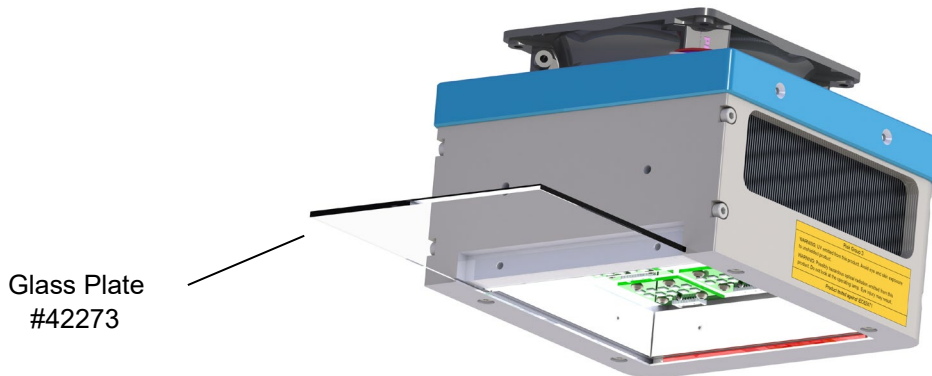


3. Remove door and seal.

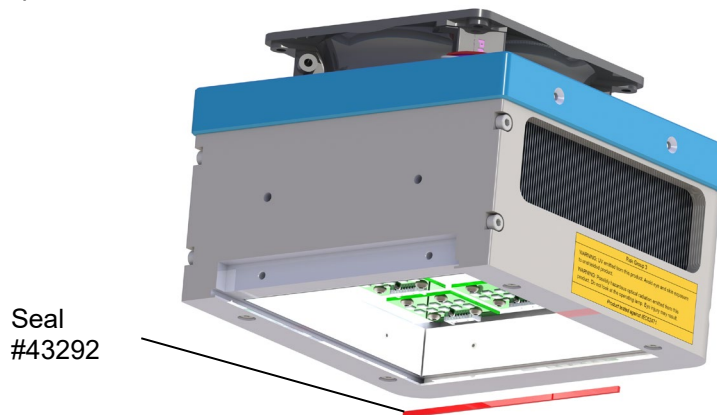


4. Remove the glass plate by sliding out.

NOTE: If the old glass window has shattered, be sure to remove all debris before attempting to install the new glass window.



5. Remove seal and replace with a new one.



6. Wearing vinyl or cotton gloves, unwrap the new glass window and carefully clean it with the enclosed alcohol swab. Take care not to touch the glass window with bare hands, as any residue left on the window can adversely affect the performance of the unit.
7. Slide new window into place.
8. Add new seal and secure door in place with 2 screws that were removed in step 1.
9. Ensure glass is clean after install. Use alcohol wipe included to care for glass as needed.



© 2019 Dymax Corporation. All rights reserved. All trademarks in this guide, except where noted, are the property of, or used under license by Dymax Corporation, U.S.A.

Please note that most curing system applications are unique. Dymax does not warrant the fitness of the product for the intended application. Any warranty applicable to the product, its application and use is strictly limited to that contained in Dymax's standard Conditions of Sale. Dymax recommends that any intended application be evaluated and tested by the user to ensure that desired performance criteria are satisfied. Dymax is willing to assist users in their performance testing and evaluation by offering equipment trial rental and leasing programs to assist in such testing and evaluations. Data sheets are available for valve controllers or pressure pots upon request.

QS093 6/13/2019

Dymax Corporation
+1.860.482.1010 | info@dymax.com | www.dymax.com

Dymax Europe GmbH
+49 611.962.7900 | info_de@dymax.com | www.dymax.de

Dymax Engineering Adhesives Ireland Ltd.
+353 21.237.3016 | info_ie@dymax.com | www.dymax.ie

Dymax Oligomers & Coatings
+1.860.626.7006 | info_oc@dymax.com | www.dymax-oc.com

Dymax UV Adhesives & Equipment (Shanghai) Co. Ltd.
+86.21.37285759 | dymaxasia@dymax.com | www.dymax.com.cn

Dymax UV Adhesives & Equipment (Shenzhen) Co. Ltd.
+86.755.83485759 | dymaxasia@dymax.com | www.dymax.com.cn

Dymax Asia (H.K.) Limited
+852.2460.7038 | dymaxasia@dymax.com | www.dymax.com.cn

Dymax Asia Pacific Pte. Ltd.
+65.6752.2887 | info_ap@dymax.com | www.dymax-ap.com

Dymax Korea LLC
+82.2.784.3434 | info_kr@dymax.com | www.dymax.com/kr