

UVCS Conveyor with BlueWave[®] LED Flood Array Retro Fit Kit Assembly Instructions (1 or 2 Arrays)

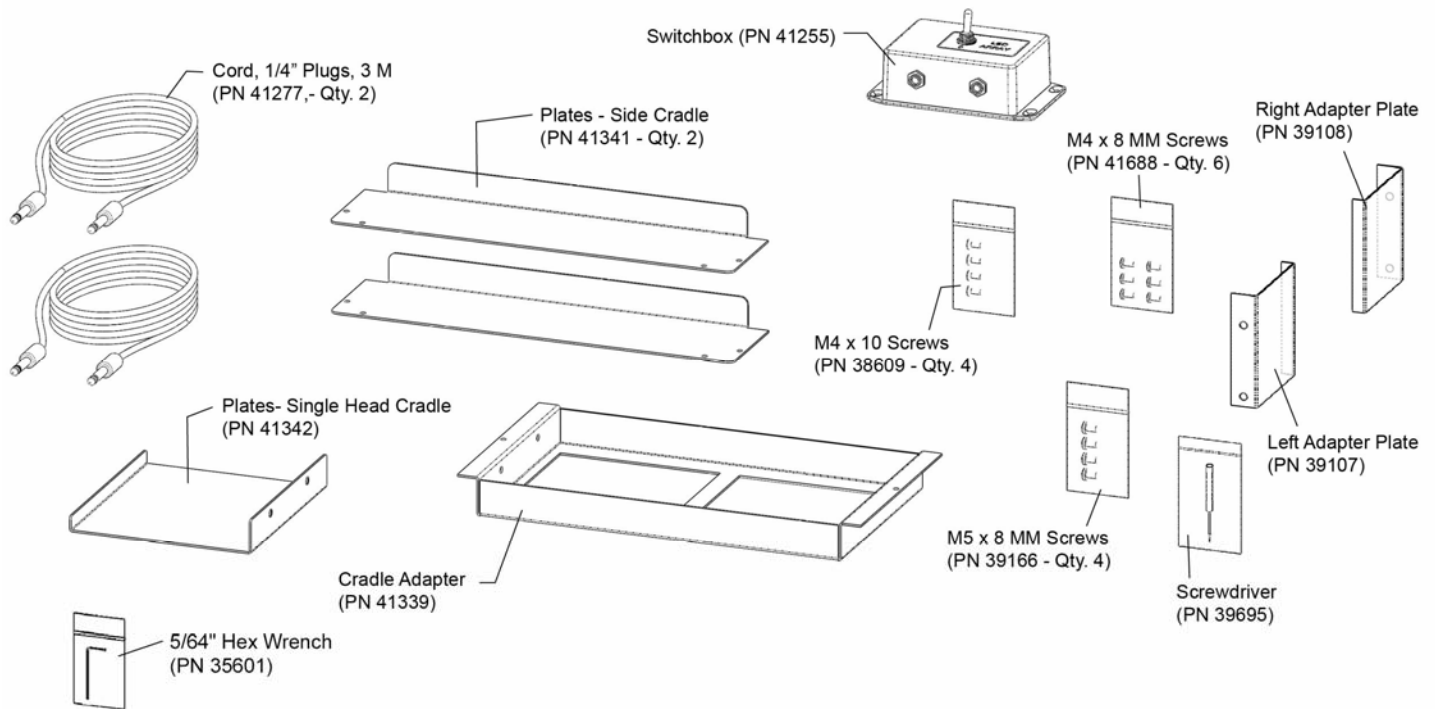


Figure 1. Retrofit Kit Parts

- Tools Needed:**
- #2 Philip head screw driver (included with kit)
 - Safety glasses

IMPORTANT! Safety glasses must be worn at all times during this assembly.

Assembly Instructions

Disassembly of the Reflector and Conveyor Cradle Assembly:

1. Verify that the Conveyor's Main Power Switch is turned off and then unplug the Power Cord from the wall outlet.
2. Remove the Reflector Assembly(s) from the Conveyor Cradle (Figure 2).
3. Loosen the Conveyor's four Hand Knobs and remove the Cradle Assembly (Figure 3).

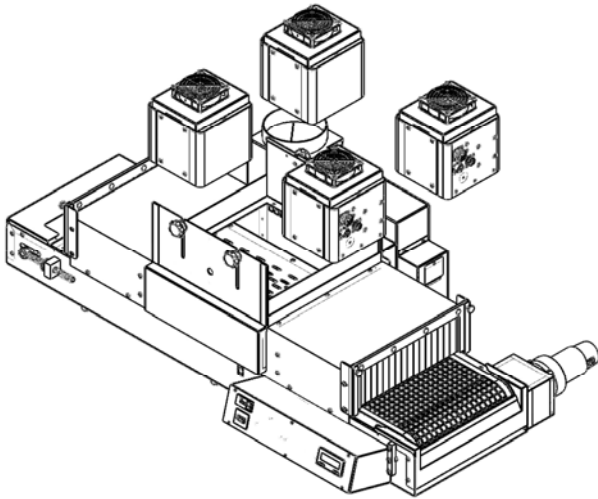


Figure 2. Remove Reflectors

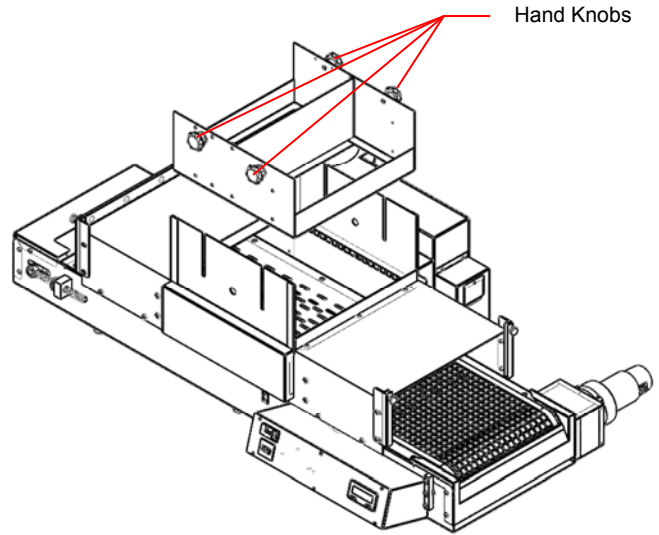


Figure 3. Loosen Hand Knobs and Remove Conveyor Cradle

4. If you are using a Cradle Partition and/or Cradle Plate, remove the existing Cradle Partition and Cradle Plate from the Conveyor Cradle by removing all screws (provided Hex Wrench may be used) (Figure 4).
5. Reinstall the Conveyor Cradle on the Conveyor and secure it by tightening the Hand Knobs (Figure 5).

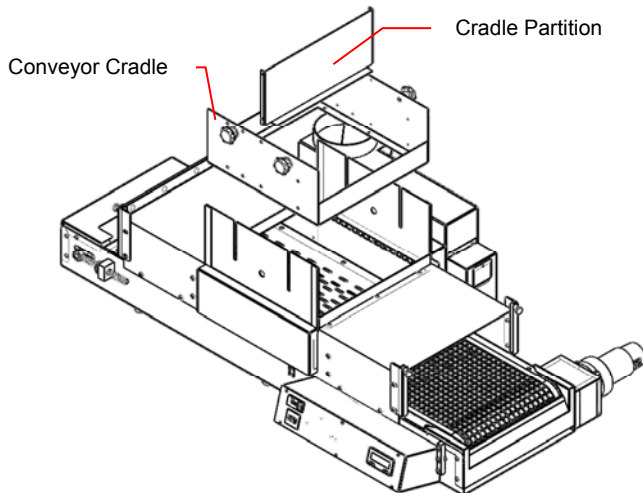


Figure 4. Remove Cradle Partition

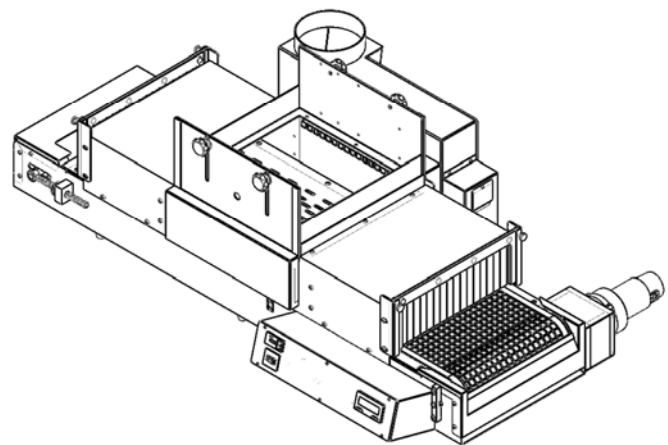


Figure 5. Reinstall the Conveyor Cradle

Installing a Retrofit Kit and LED Flood Array onto an Existing Conveyor Cradle

NOTE: *The retrofit kit can be installed onto the conveyor cradle with an in-line position or side-by-side position as required by your application need.*

1. Mount the LED Flood Array(s) to the Cradle Adapter Plate

If using a single Array:

- a) Mount the LED Array to one side of the Cradle Adapter Plate using two M5 x 8-mm screws (Figure 6).
- b) Install the Single-Head Cradle Plate on the other side of the Cradle Adapter Plate using two M5 x 8-mm screws.

If mounting two Arrays:

- c) Mount the two LED Arrays to each side of the Cradle Adapter Plate using four M5 x 8-mm screws (Figure 7).

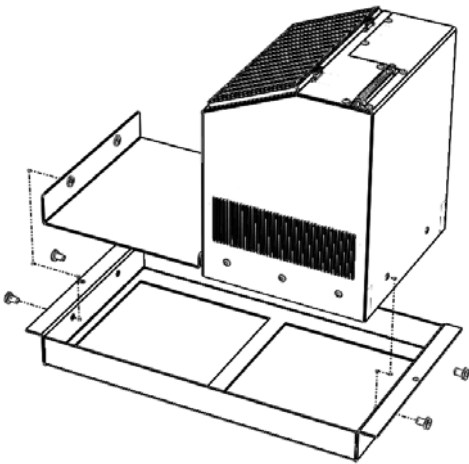


Figure 6. Single Array Mounted to Cradle Adapter Plate

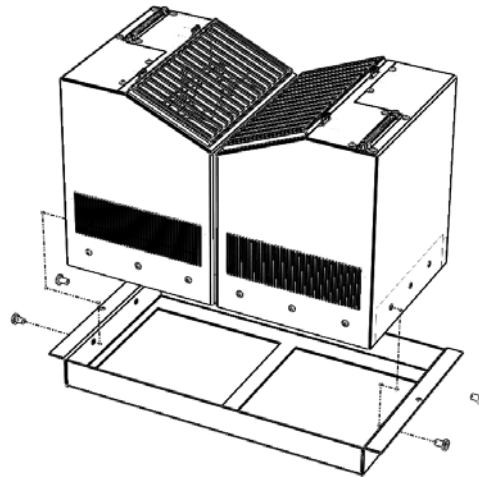


Figure 7. Two Arrays Mounted to Cradle Adapter Plate

2. Place the LED Array/Cradle Adapter Plate Assembly onto the conveyor.

NOTE: *The Retrofit Kit can be installed on the Conveyor Cradle in an in-line (Figure 8) or side-by-side (Figure 9) position as required by your application need.*

3. If using the side-by-side position, the Cradle Adapter Plate Assembly may be secured with M4 x 8-mm screws.

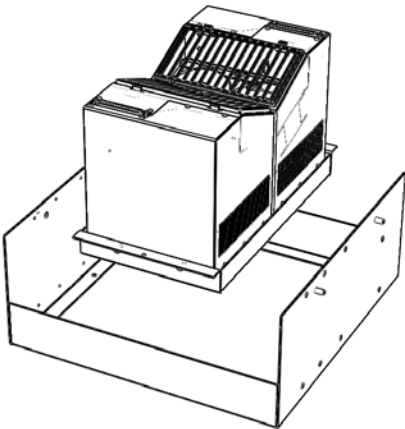


Figure 8. LED Arrays & Conveyor Cradle, In-Line Position

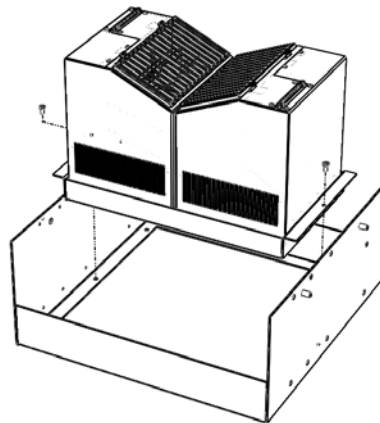


Figure 9. LED Arrays & Conveyor Cradle, Side-By-Side Position

4. Insert a Side Plate on both sides of Cradle Adapter Plate. The Side Plate bend will fit over and into the Adapter Plate. Secure both Side Plates with M4 x 8-mm screws. (Figure 10 & 11)

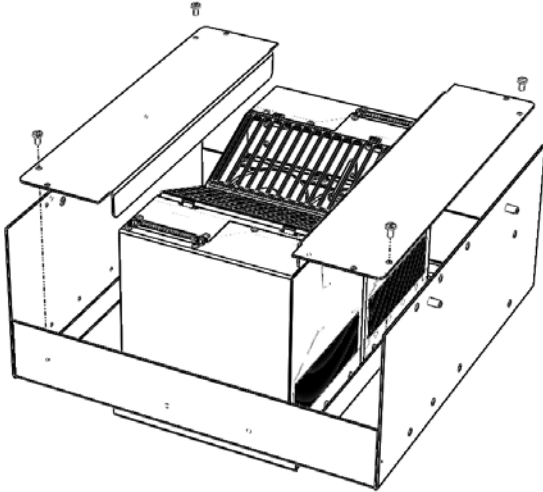


Figure 10. Install Cradle Adapter Plates, In-Line Position

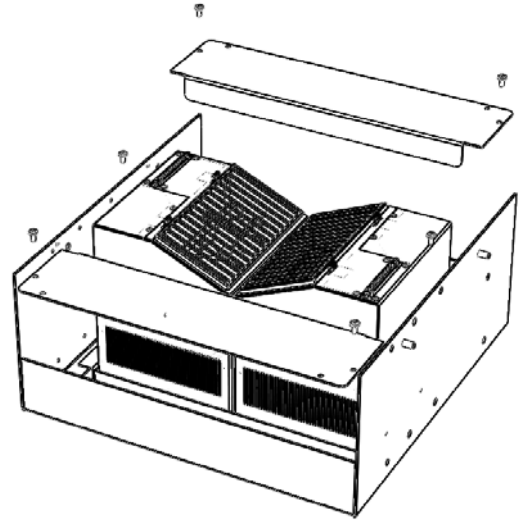


Figure 11. Install Cradle Adapter Plates, Side-By-Side Position

Adapter Plate Installation

Each retrofit kit contains two adapter plates (left and right). Adapter plates are installed at the entrance of the conveyor to narrow the width of the curing path to only the portion of the belt that travels under the LED array. **Adapter plates are only needed if you are operating a system with a single array or two arrays mounted in-line.**

1. Remove the Light Shield Brackets from the Conveyor by unscrewing the two screws on each side. (Figure 12)

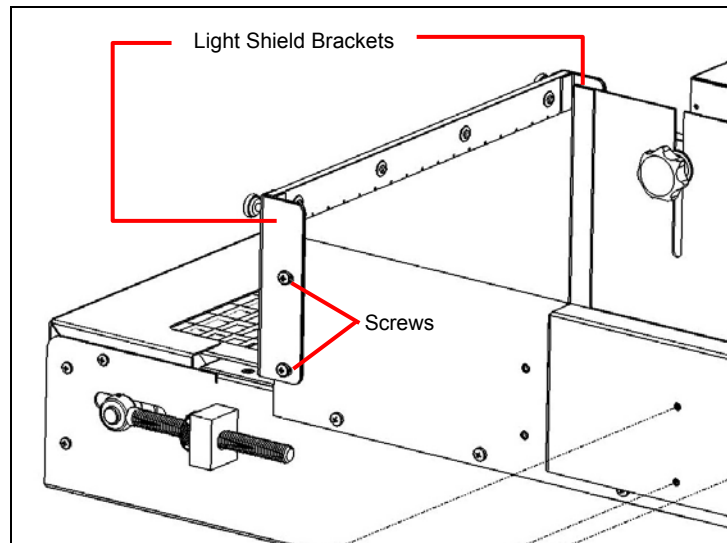


Figure 12. Remove Light Shield Brackets from Conveyor Entrance

2. Line up the mounting holes on the Adapter Plate with those on the Light Shield Bracket. Mount the Adapter Plate/Light Shield Bracket Assembly to the Conveyor with the screws removed previously. The Adapter Plate should be between the Conveyor and the Light Shield Bracket (Figure 14).

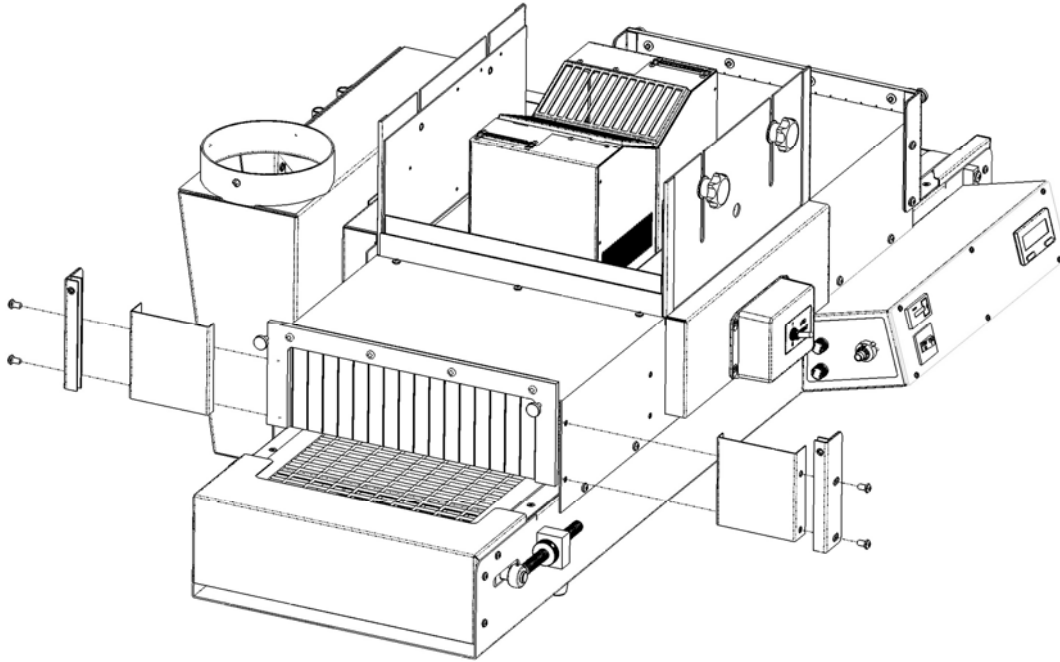


Figure 14. Install Adapter Plates between Conveyor and Light Shield Bracket

Switchbox Installation

The Switchbox may be used in place of the LED Flood Array Foot Switch. This provides continuous operation of the LED. The Switchbox comes with two 9.8 ft [3 M] long cords so that it may be located anywhere that is appropriate for the application. Four M4 x 10 screws are provided if mounting is required. One end of the cords are plugged into the Switchbox and the other is connected to the Foot Switch Jacks on the rear of the LED Flood Power Supply.

Read and follow user guide for installation and start-up procedure.

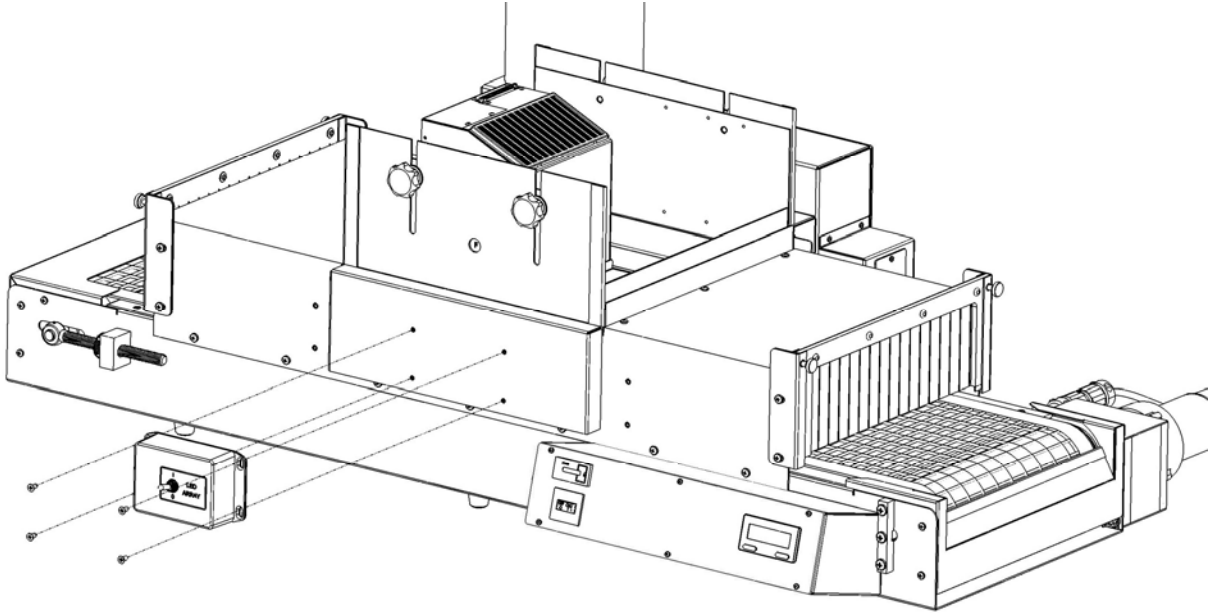


Figure 14. Install Switchbox



© 2014-2015 Dymax Corporation. All rights reserved. All trademarks in this guide, except where noted, are the property of, or used under license by Dymax Corporation, U.S.A.

Please note that most dispensing and curing system applications are unique. Dymax does not warrant the fitness of the product for the intended application. Any warranty applicable to the product, its application and use is strictly limited to that contained in Dymax's standard Conditions of Sale. Dymax recommends that any intended application be evaluated and tested by the user to insure that desired performance criteria are satisfied. Dymax is willing to assist users in their performance testing and evaluation by offering equipment trial rental and leasing programs to assist in such testing and evaluations. Data sheets are available for valve controllers or pressure pots upon request.

PN 41993 QS071 8/5/2015

Dymax Corporation
860.482.1010 | info@dymax.com | www.dymax.com

Dymax Europe GmbH
+49 (0) 611.962.7900 | info_de@dymax.com | www.dymax.de

Dymax Engineering Adhesives Ireland Ltd.
+353.1.231.4696 | info_ie@dymax.com | www.dymax.ie

Dymax Oligomers & Coatings
860.626.7006 | info_oc@dymax.com | www.dymax-oc.com

Dymax UV Adhesives & Equipment (Shanghai) Co. Ltd.
+86.21.37285759 | dymaxasia@dymax.com | www.dymax.com.cn

Dymax UV Adhesives & Equipment (Shenzhen) Co. Ltd.
+86.755.83485759 | dymaxasia@dymax.com | www.dymax.com.cn

Dymax Asia (H.K.) Limited
+852.2460.7038 | dymaxasia@dymax.com | www.dymax.com.cn

Dymax Asia Pacific Pte. Ltd.
+65.6752.2887 | info_ap@dymax.com | www.dymax-ap.com

Dymax Korea LLC
+82.2.784.3434 | info_kr@dymax.com | www.dymax.com/kr