

BlueWave[®] LED Flood Lamp Mounting Stand Kit (41268)

Unpacking and Setup Instructions

1. Remove the stand and carriage from the packaging.
2. Remove the cap and 2 fasteners from the stand's upright. These are push-in fasteners, not screws, and can easily be removed by pushing upward on the plate (Figure 1).
3. Using a 2-mm hex key, remove the 2 outer screws from the back of the emitter. (Figure 2)

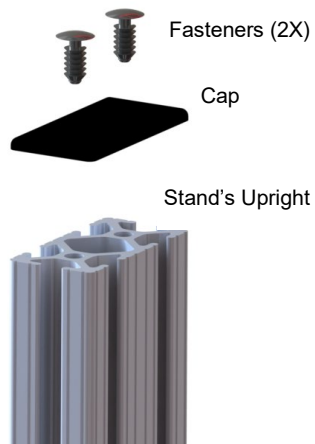


Figure 1. Remove Cap and Fasteners

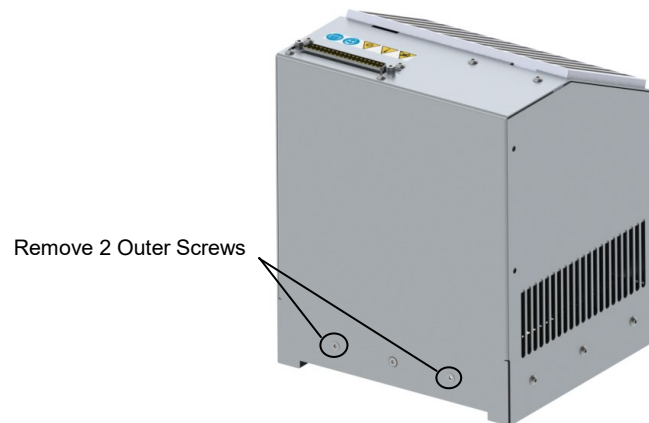


Figure 2. Remove 2 Outer Screws from Emitter

4. Using a 4-mm hex key, attach the carriage to the emitter using the screws supplied with the carriage. (Figure 3)
5. Slide the carriage onto the stand upright, being sure to align bearing pads and t-nut into slot (Figure 4).

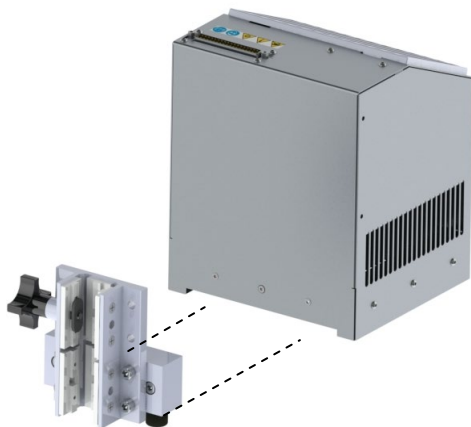


Figure 3. Attach the Carriage to the Emitter

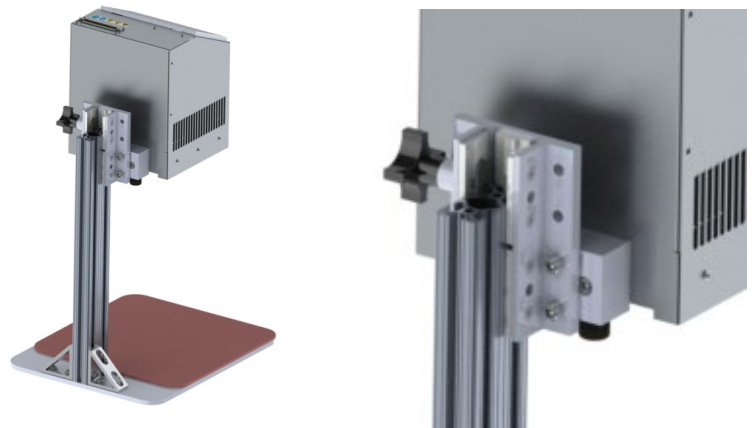


Figure 4. Slide Carriage into Stand

6. Slide to the desired height, tighten the thumbscrew.
7. Slide back panel into position.
8. Replace the cap and fasteners.



Figure 5. Slide back panel into position

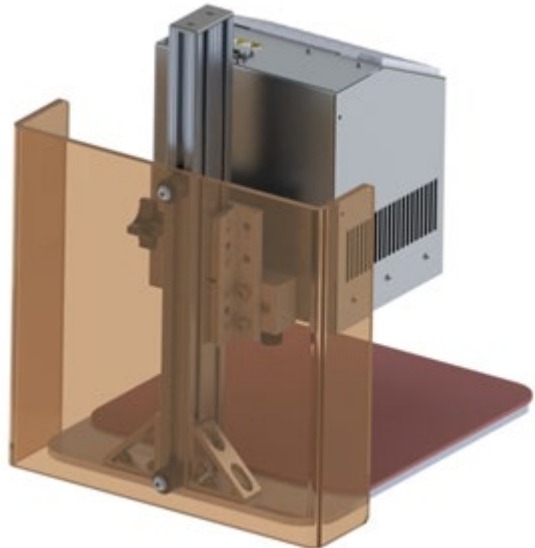


Figure 6. Replace cap and fasteners

9. Further information regarding the use of this system can be found in the following:
 - [BlueWave® LED Flood System Product Bulletin \(PB041\)](#)
 - [BlueWave® LED Flood System User Guide \(MAN067\)](#)
 - [Using a BlueWave LED Flood System with an Acrylic Shield Quick Start \(QS072\)](#)



© 2019 Dymax Corporation. All rights reserved. All trademarks in this guide, except where noted, are the property of, or used under license by Dymax Corporation, U.S.A.

Please note that most dispensing and curing system applications are unique. Dymax does not warrant the fitness of the product for the intended application. Any warranty applicable to the product, its application and use is strictly limited to that contained in Dymax's standard Conditions of Sale. Dymax recommends that any intended application be evaluated and tested by the user to ensure that desired performance criteria are satisfied. Dymax is willing to assist users in their performance testing and evaluation by offering equipment trial rental and leasing programs to assist in such testing and evaluations. Data sheets are available for valve controllers or pressure pots upon request. 4/12/2019 QS085

Dymax Corporation
+1.860.482.1010 | info@dymax.com | www.dymax.com

Dymax Europe GmbH
+49 (0) 611.962.7900 | info_de@dymax.com | www.dymax.de

Dymax Engineering Adhesives Ireland Ltd.
+353 21.237.3016 | info_ie@dymax.com | www.dymax.ie

Dymax Oligomers & Coatings
+1.860.626.7006 | info_oc@dymax.com | www.dymax-oc.com

Dymax UV Adhesives & Equipment (Shanghai) Co. Ltd.
+86.21.37285759 | dymaxasia@dymax.com | www.dymax.com.cn

Dymax UV Adhesives & Equipment (Shenzhen) Co. Ltd.
+86.755.83485759 | dymaxasia@dymax.com | www.dymax.com.cn

Dymax Asia (H.K.) Limited
+852.2460.7038 | dymaxasia@dymax.com | www.dymax.com.cn

Dymax Asia Pacific Pte. Ltd.
+65.6752.2887 | info_ap@dymax.com | www.dymax-ap.com

Dymax Korea LLC
+82.2.784.3434 | info_kr@dymax.com | www.dymax.com/kr