



SG-150

Hand-Held Standard and High-Flow Spray Gun Systems

- Available in both standard and high-flow models
- All wetted spray gun components are stainless steel, PTFE, or perfluoroelastomer
- Compatible with Dymax packages of UV/Visible light-curable conformal coatings and masking materials
- Pneumatically operated, no electrical power required
- Sealed fluid body with no exposure to ambient conditions
- Lightweight, ergonomic spray gun design with low trigger resistance
- System packages equipped with high-quality, precision air regulators supplied for precise fluid control and air atomization
- Air filter regulator includes an integrated shutoff valve and pressure exhaust to quickly and safely depressurize the system, eliminating the need for the operator to open and close the regulator
- Made with easy-to-open, swing-down toggles on the bottle and pail reservoirs

Dymax SG-150 hand-held spray guns, available in both standard and high-flow models, provide a solution to manually spraying fluids for masking and coating applications. The SG-150-RS standard-flow spray gun is ideal for dispensing fluids with viscosity lower than 10,000 cP, while the SG-150-RH is better suited for spraying fluids with viscosity of 10,000 cP and higher.

Both SG-150 models utilize a normally closed, stainless steel needle valve to control fluid flow and have a dual-acting air cylinder that provides immediate start/stop functionality. A stroke adjustment on the valve can be used to fine tune the flow rate and a precision air regulator/gauge assembly simultaneously activates the atomizing air while the valve is opened, and fluid is flowing. The standard model is fitted with a round spray cap that provides a circular spray pattern. An optional flat spray cap is available if a linear or flat spray pattern is preferred.

The guns' design incorporates a durable, light-weight, cast metal handle with pneumatic trigger mechanism so no additional electronic controls are required to activate the spray. The operator effortlessly controls the spray by manually pulling or releasing the trigger.

Spray Gun Specifications

Activation	Manually Controlled - Trigger Actuated
Electrical Power Requirements	None
Air Pressure Required	Valve Operation: 60 psi [4.14 bar] to 100 psi [6.89 bar]
	Atomizing Air: 0 psi [0 bar] to 15 psi [1.03 bar] (Standard-flow Spray Gun) 0 psi [0 bar] to 30 psi [2.06 bar] (High-flow Spray Gun)
Spray Pattern	Round Air Cap (standard): 0.25" - 1.0" [6.35 mm - 25.40 mm] Flat Air Cap (optional accessory): 0.50" - 2.0" [12.70 mm - 50.80 mm]
Flow Rate	Standard flow: 0.3 mL/sec (spraying 25,000 cP thixotropic fluid) High flow: 2.0 mL/sec (spraying 25,000 cP thixotropic fluid)
Fluid Input Fitting	3/8 tube push in; accepts 3/8" OD tubing
Dimensions (L x W x H)	Spray Gun Assembly 8" x 4" x 8" (20.5 cm x 10.2 cm x 20.5 cm)
	Air Regulator Stand 8" x 9" x 9" (20.5 cm x 22.8 cm x 22.8 cm)
Weight	Spray Gun Assembly 1.7 lb (0.8 kg)
	Air Regulator Stand 6.6 lb (3.0 kg)
Spray Gun Warranty	1 year from purchase (excludes soft seals)

Typical Spray Applications

- Conformal coating of circuit boards
- Masking of turbines or other metal surfaces before surface treatments
- Masking medical implants before finishing treatments
- Spraying solvents for cleaning part surfaces
- Coating large parts with grease or other lubrication before assembly

Available System Packages*

Systems Include:

- Hand-held Spray Gun with Needle Valve and Controlling Air Regulators
- Air Line Kit - ¼" (6.3 mm) OD tubing with fitting on one end
- Air Filter/Regulator - 0-100 psi (0-6.9 bar)
- Selected Reservoir for Fluid Package Used
- Fluid Line Kit - 6 ft of black ¾" (9.5 mm) OD tubing
- Air Line Kit - ¼" (6.3 mm) OD tubing
- Spray Gun Stand
- Air Precision Regulator - Includes three pressure gauges:
 - 0-30 psi (0-2 bar) for very low- to medium-viscosity materials
 - 0-60 psi (0-4.1 bar) for medium-viscosity materials
 - 0-100 psi (0-6.9 bar) for high-viscosity materials

		Select System Based on Fluid Package Used						
		Cartridge Drop-In			Large Bottle Drop-In	Pail Drop-In	Mini Ram Pump	Ram Pump
System Part Numbers in Blue	Spray Gun Only	6 oz [160 mL]	12 oz [300 mL]	20 oz [550 mL]	Up to 1 Gallon	Up to 15 Liters Straight or Taper	Up to 3.8 Liters	5 Gallons
								
SG-150-RS Standard-Flow Spray System (use with materials <10,000 cP)	T18435	T18440	T18445	T18450	T18455	T18465	-	-
SG-150-RH High-Flow Spray System (use with materials >10,000 cP)	T18449	T18442	T18446	T18451	T18456	T18466	T17848	T18470 (Straight) T18471 (Tapered)

* Complete systems without a gun assembly are available upon request. Contact Dymax Application Engineering for more information.



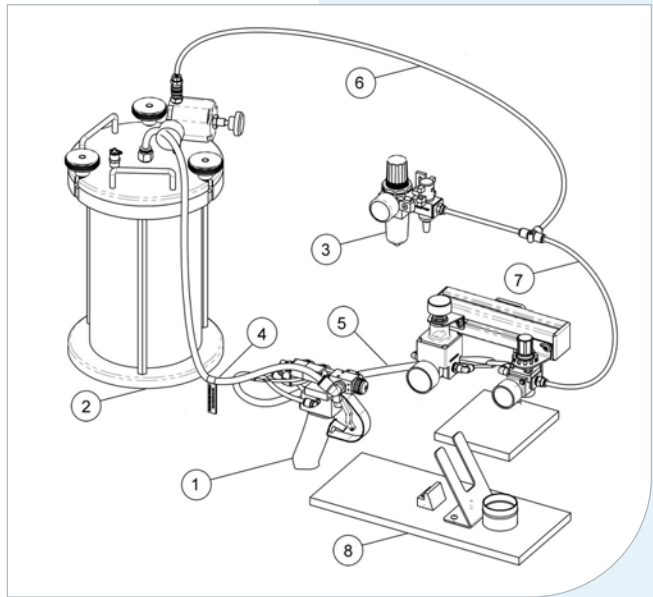
6 oz (160 mL) 12 oz (300 mL) 20 oz (550 mL) Bottle Drop-In Reservoir Pail Drop-In Reservoir Mini Ram Pump Ram Pump

Cartridge Drop-In Reservoirs

Item	Part Number	Description
1	T16624	SG150-RS Standard-Flow Spray Gun with Round Air Cap
2	T17004	Large Bottle Drop-In Tank Assembly with High-Precision Regulator
3	T16307	Filter Regulator
4	T16787	Fluid Line Kit - Black 3/8" OD PE, 6 Ft
5	T16793	Fluid Line Kit - Black 1/4" OD PE, 6 Ft (Sold Separately)
6	T16789	Reservoir Air Line Kit
7	T16786	Control Air Line Kit
8	T15454	Spray Gun Stand

System Specifications	
Compressed Air Supply	80 to 100 psi (5.5 to 6.9 bar)

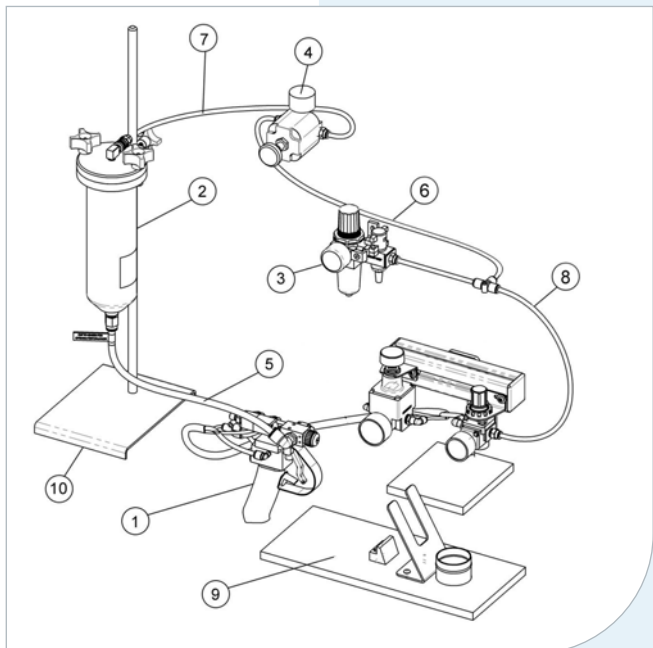
Representative SG150-RS Spray Dispensing System
(T18455 with Large Bottle Reservoir Shown Below)



Item	Part Number	Description
1	T18449	SG150-RH High-Flow Spray Gun with Round Air Cap
2	T15223	550 mL (20 oz) Reservoir
3	T16307	Filter Regulator
4	T16629	High-Precision Regulator
5	T16787	Fluid Line Kit - Black 3/8" OD PE, 6 Ft
6	T16793	Fluid Line Kit - Black 1/4" OD PE, 6 Ft (Sold Separately)
7	T16789	Reservoir Air Line Kit
8	T16786	Control Air Line Kit
9	T15454	Spray Gun Stand
10	T15279	24" Lab Stand

System Specifications	
Compressed Air Supply	80 to 100 psi (5.5 to 6.9 bar)

Representative SG150-RH Spray Dispensing System
(T18451 with Cartridge Reservoir Shown Below)



Accessories & Spare Parts

Part Number	Description
Accessories	
T15697	Flat Spray Air Cap
T15454	Front Closing Stand with Drip Cup
T16307	Air Filter Regulator with Air Shut Off
T16629	High-Precision Air Regulator for Fluid Pressure
T16787	Fluid Line Kit - 3/8" OD, Polyethylene
T16793	Fluid Line Kit - 1/4" OD, Polyethylene
Valves	
T16396	Standard-Flow Spray Valve
T17287	High-Flow Spray Valve
Valve Rebuild Kits	
T15696	Standard-Flow Spray Valve Rebuild
T17288	High-Flow Spray Valve Rebuild Kit
Misc	
T17304	Collar, Air Cap Fasten



T15697 Flat Spray Air Cap



T15454 Front Closing Stand with Drip Cup



T16307 Air Filter Regulator with Air Shut Off



T15454 High-Precision Air Regulator for Fluid Pressure



T16787 Fluid Line Kit - 3/8" OD, Polyethylene



T16793 Fluid Line Kit - 1/4" OD, Polyethylene

