

## SG-200

### Super-Flow Spray Gun System

- Configurations for low- and high-viscosity applications
- Flow rates of 2.5-20 oz per minute
- Compatible with light-curable conformal coatings and masking materials
- High-quality, light-blocking stainless or polyethylene fluid tubing for maximum flow rate
- High-quality, precision air regulators supplied for precise fluid control and air atomization
- Handheld and machine-mount configuration flexibility
- Air filter regulator includes an integrated shutoff valve and pressure exhaust to quickly and safely depressurize the system, eliminating the need for the operator to open and close the regulator
- Easy-to-open, swing-down toggles on the bottle and pail reservoirs
- High-viscosity supply capabilities with optional 11:1 ratio positive-displacement ram pump

Dymax SG-200 Super-Flow Spray Gun Systems are designed for masking and coating applications where a significantly higher flow rate is required. The systems are ideal for dispensing fluids with viscosities up to 80,000 cP and provide a flow rate that is 5-10 times higher than the Dymax SG-100 spray guns. Flow rates of 2.5-20 oz per minute are achievable, maximizing productivity for heavy-deposit, high-volume, and large-part masking and coating applications. The SG-200 utilizes a normally closed, stainless steel needle valve to control fluid flow and a dual-acting air cylinder to provide immediate start/stop functionality. The systems' dual-port atomizing nozzle design ensures symmetrical delivery of materials across a wide range of viscosities.

#### Typical Spray Applications

- Masking of turbines or other metal surfaces before surface treatments
- Masking medical implants before finishing treatments
- Spraying solvents for cleaning part surfaces
- Coating large parts with grease or other lubrication before assembly



# Available Systems

Dymax offers the SG-200 spray gun in low- and high-viscosity packages. Systems include the following:

## Low Viscosity Package

- Hand-held SG-200 spray gun with needle valve and controlling air regulators
- Air filter/regulator, 0-100 psi (0-6.9 bar)
- Model 345 controller for remote switching or automated use
- Spray gun stand
- Air-line kit – ¼" (6.3 mm) OD tubing with fitting on one end
- Selected reservoir for fluid package used with air-line kit ¼" (6.3 mm) OD tubing
- Fluid-line kit – 6 ft of black ⅜" (9.5 mm) OD tubing
- Fluid-line kits – 6 ft of black ¼" (6.3 mm) OD tubing and ⅜" - ¼" (9.5 mm - 6.3 mm) reducer and two ⅜" - ¼" (9.5 mm - 6.3 mm) stem fitting inserts
- Air precision regulator – Includes two pressure gauges: 0-30 psi (0-2 bar) for very low- to medium-viscosity materials 0-60 psi (0-4.1 bar) for medium-viscosity materials

## High Viscosity Package

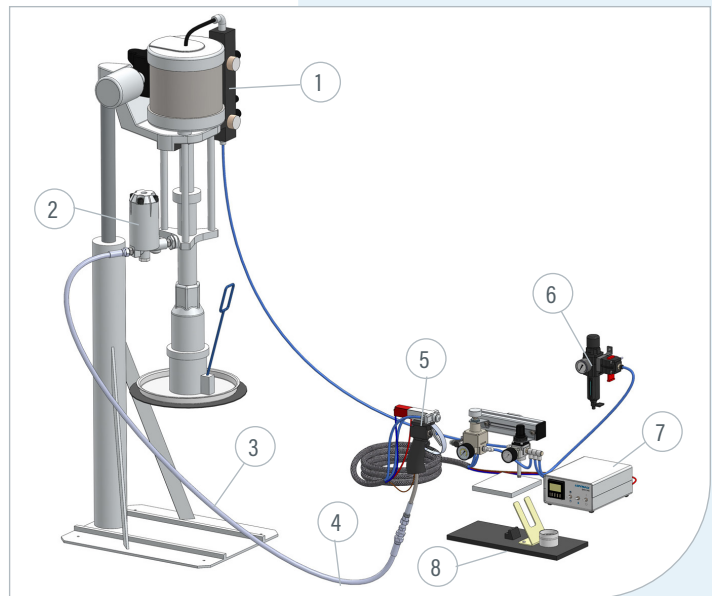
- Hand-held SG-200 spray gun with needle valve and controlling air regulators
- Air filter/regulator, 0-100 psi (0-6.9 bar)
- Model 345 controller for remote switching or automated use
- Spray gun stand
- Fluid-line kit – 6 ft Braided SS hose, 3/8" NPT swivel
- 11:1 Positive displacement ram-pump, 5-gal. taper or straight pail
- In-line, downstream material regulator
- Air precision regulator – Includes two pressure gauges: 0-30 psi (0-2 bar) for very low- to medium-viscosity materials 0-80 psi (0-4.1 bar) for high-viscosity materials

				High Viscosity		
Spray Gun Only	Cartridge Drop-In		Large Bottle Drop-In	Mini Ram Pump	Pressure Pot, 10 Gallons	Ram Pump, 5 Gallons
	12 oz [300 mL]	20 oz [550 mL]	Up to 1 Gallon	Up to 3.8 Liters	Up to 15 Liters Straight or Taper	Up to 15 Liters Straight or Taper
						
T21232	T21235	T21245	T21270	T17850	T21280	T21285-001 (Straight) T21285-002 (Tapered)

Item	Part Number	Description
1	T21285-001 T21285-002	5-Gal. Ram Pump, Straight 5-Gal. Ram Pump, Tapered
2	T21287	Material Regulator Module
3	T21286-001 T21286-002	Wiper Kit, Straight Wiper Kit, Tapered
4	T18005	High-Pressure Hose Kit
5	T21232	SG-200 High-Pressure Spray Gun
6	T16307	Air Filter Regulator with Shut Off
7	T11146	DVC-345 Controller
8	T15454	Spray Gun Stand

System Specifications	
Compressed Air Supply	80 to 100 psi (5.5 to 6.9 bar)

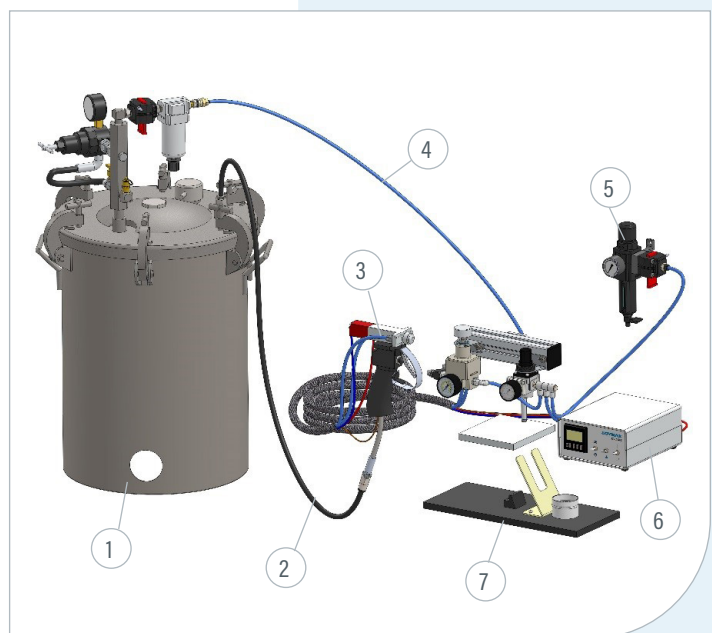
Representative SG-200 Spray Dispensing System  
(T21285 with 5-Gallon Ramp Pump Shown Below)



Item	Part Number	Description
1	T17859	10-Gallon Drop-In Reservoir
2	T18048	Fluid-Line Kit
3	T21232	SG-200 High-Pressure Spray Gun
4	T16789	Reservoir Air-Line Kit
5	T16307	Air Filter Regulator with Shut Off
6	T11146	DVC-345 Controller
7	T15454	Spray Gun Stand

System Specifications	
Compressed Air Supply	80 to 100 psi (5.5 to 6.9 bar)

Representative SG-200 Spray Dispensing System  
(T21280 with 10-Gallon Pressure Pot Shown Below)



## Accessories & Spare Parts



Flat Spray Air Cap



Stand with Drip Cup



Fluid Line Kit, 3/8" OD Polyethylene

Part Number	Description
<b>TI8020</b>	Nozzle / Cap Kit
<b>TI7304</b>	Retaining Collar
<b>TI5454</b>	Front-Closing Stand with Drip Cup
<b>Cartridge &amp; Pressure Pot Systems</b>	
<b>TI6787</b>	Fluid-Line Kit - 3/8" OD, Polyethylene
<b>TI6793</b>	Fluid-Line Kit - 1/4" OD, Polyethylene
<b>TI6307</b>	Air Filter Regulator with Air Shut Off
<b>TI6629</b>	High-Precision Air Regulator for Fluid Pressure
<b>Ram Pump Systems</b>	
<b>T21287</b>	High-Pressure Material Regulator, 3/8" fnt
<b>TI8006</b>	Braided High-Pressure Hose & Fitting Kit
<b>TI6715</b>	Wiper Replacement, Tapered Pails
<b>TI8008</b>	Wiper Replacement, Straight-Sided Pails
<b>TI8019</b>	Material Whip, Thru Handle



[www.dymax.com](http://www.dymax.com)

### Americas

USA | +1.860.482.1010 | [info@dymax.com](mailto:info@dymax.com)

### Europe

Germany | +49 611.962.7900 | [info\\_de@dymax.com](mailto:info_de@dymax.com)  
Ireland | +353 21.237.3016 | [info\\_ie@dymax.com](mailto:info_ie@dymax.com)

### Asia

Singapore | +65.67522887 | [info\\_ap@dymax.com](mailto:info_ap@dymax.com)  
Shanghai | +86.21.37285759 | [dymaxasia@dymax.com](mailto:dymaxasia@dymax.com)  
Shenzhen | +86.755.83485759 | [dymaxasia@dymax.com](mailto:dymaxasia@dymax.com)  
Hong Kong | +852.2460.7038 | [dymaxasia@dymax.com](mailto:dymaxasia@dymax.com)  
Korea | +82.31.608.3434 | [info\\_kr@dymax.com](mailto:info_kr@dymax.com)