

Table of Contents

Warnings	2	Accessories	16
Typical Systems	4	Dimensions	18
Installation	5	Technical Data	19
Operation	6	Graco Standard Warranty	20
Maintenance	7	Graco Information	20
Parts			
Low-Pressure Tanks	8		
Low-Pressure Tanks with Agitator	10		
High-Pressure Tanks	12		
High-Pressure Tanks with Agitator	14		

Symbols

Warning Symbol



This symbol alerts you to the possibility of serious injury or death if you do not follow the instructions.

Caution Symbol



This symbol alerts you to the possibility of damage to or destruction of equipment if you do not follow the instructions.

! WARNING



EQUIPMENT MISUSE HAZARD

Equipment misuse can cause the equipment to rupture or malfunction and result in serious injury.

- This equipment is for professional use only.
- Read all instruction manuals, tags, and labels before operating the equipment.
- Use the equipment only for its intended purpose. If you are not sure, call your Graco distributor.
- Do not alter or modify this equipment. Use only genuine Graco parts.
- Check equipment daily. Repair or replace worn or damaged parts immediately.
- Do not exceed the maximum working pressure of the lowest rated component in your system. The maximum working fluid pressure of the low-pressure regulated tanks is 15 psi (0.1 MPa, 1 bar). The maximum working fluid pressure of the high-pressure regulated tanks is 100 psi (0.7 MPa, 7 bar)
- Use fluids and solvents which are compatible with the equipment wetted parts. Refer to the **Technical Data** section of all equipment manuals. Read the fluid and solvent manufacturer's warnings.
- Always wear protective eyewear, gloves, clothing, and respirator as recommended by the fluid and solvent manufacturer.
- Comply with all applicable local, state, and national fire, electrical, and safety regulations.

WARNING



FIRE AND EXPLOSION HAZARD

Improper grounding, poor ventilation, open flames, or sparks can cause a hazardous condition and result in a fire or explosion and serious injury.

- Ground the equipment and the object being sprayed. Refer to **Grounding** on page 5.
- If there is any static sparking or you feel an electric shock while using this equipment, **stop spraying immediately**. Do not use the equipment until you identify and correct the problem.
- Do not use 1,1,1-trichloroethane, methylene chloride, other halogenated hydrocarbon solvents, or fluids containing such solvents in aluminum pumps. Such use could result in a serious chemical reaction, with the possibility of explosion.
- Do not use kerosene or other flammable solvents or combustible gases to flush the unit.
- Provide fresh air ventilation to avoid the buildup of flammable fumes from solvents or the fluid being sprayed.
- Keep the spray area free of debris, including solvent, rags, and gasoline.
- Before operating this equipment, electrically disconnect all equipment in the spray area.
- Before operating this equipment, extinguish all open flames or pilot lights in the spray area.
- Do not smoke in the spray area.
- Do not turn on or off any light switch in the spray area while spraying or while there are any fumes in the air.
- Do not operate a gasoline engine in the spray area.



MOVING PARTS HAZARD

Moving parts, such as the rotating blades of the agitator, can pinch or amputate your fingers or other body parts and can cause splashing in the eyes or on the skin.

- Keep clear of all moving parts when starting or operating the agitator.
- Always shut off the agitator and disconnect the air line before adjusting the angle of the agitator, removing the agitator from the drum, or checking or repairing any part of the agitator.



HAZARDOUS VAPORS

Hazardous fluids or toxic fumes can cause serious injury or death if splashed in the eyes or on the skin, swallowed, or inhaled. When flushing the air motor, keep your face away from the exhaust port.

United States Government safety standards have been adopted under the Occupational Safety and Health Act. You should consult these standards — particularly the General Standards, Part 1910, and the Construction Standards, Part 1926.

Typical Systems

Reference numbers and letters in parentheses in the text refer to references in the illustrations and the parts drawings.

See page 16 for **Accessories** that are available from Graco. Be sure that all accessories are properly sized to withstand the pressures in the system.

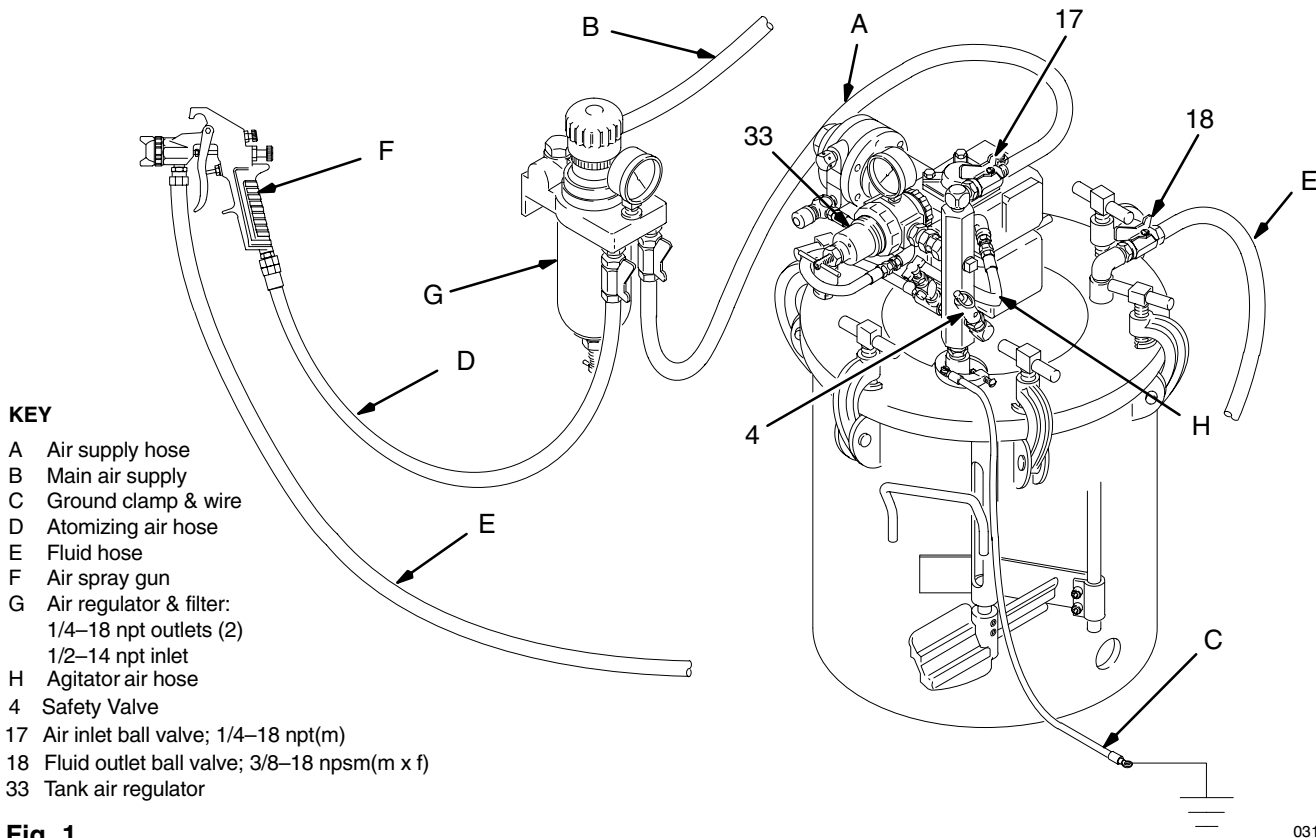


Fig. 1

03186B

Installation

⚠ WARNING



FIRE AND EXPLOSION HAZARD

Always maintain a minimum of 1 in. clearance between rotating agitator parts and container to prevent sparks from contact.

Pressure Relief Procedure

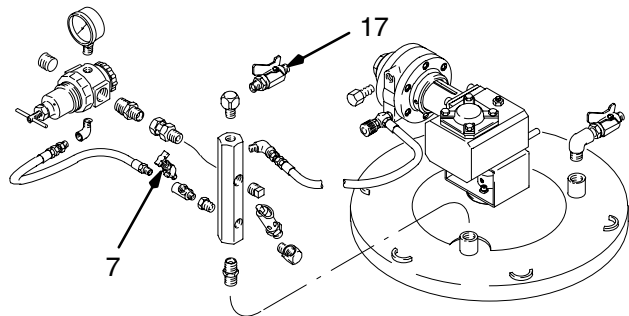
⚠ WARNING

PRESSURIZED EQUIPMENT HAZARD

The pressure tanks remain pressurized until pressure is manually relieved. To reduce the risk of serious injury from pressurized fluid or accidental spray from the gun, always follow this procedure to relieve pressure in the tank at the following times:

- Before you check or service any part of the spray system
- Before you loosen or remove the pressure tank cover or fill port
- Whenever you stop spraying

1. Shut off the air supply to the tank by closing the air inlet valve (17). Refer to Fig. 2.
2. Open the drain cock fitting (7) by turning it counterclockwise.
3. Wait until there is no air escaping through the drain cock fitting before removing the cover or opening the fill port.
4. Leave the drain cock fitting (7) open until you have reinstalled the cover or fill port.



03187B

Fig. 2

Grounding

Check your local code for detailed grounding instructions for your area and type of equipment. Be sure to ground the pressure tank by connecting one end of a 12 awg (1.5 mm²) minimum ground wire to the pressure tank and the other end of the wire to a true earth ground.

Recommended Hose Sizes (general purpose)

Fluid		Air	
For runs of:	Use:	For runs of:	Use:
0 to 35 ft (0 to 11 m)	3/8" ID	0 to 50 ft (0 to 15 m)	5/16" ID
35 to 100 ft (11 to 30 m)	1/2" ID	50 to 100 ft (15 to 30 m)	3/8" ID
100 to 200 ft (30 to 61 m)	3/4" ID	100 ft+ (30 m+)	1/2" ID

Installing a Heavy Duty Agitator

To install a heavy duty air operated agitator, see manual 308371. This agitator is recommended for fluid viscosities over 800 centipoise (cp).

Connecting Hoses

Refer to Fig. 1, page 4. Install an air regulator and filter (G) upstream from the air inlet ball valve (17) to remove dirt and moisture from the compressed air supply (B). See **Accessories** on page 16. Connect an air supply hose (A) between the air inlet ball valve (17) and an air outlet of the air regulator and filter (G).

Connect the atomizing air hose (D) to the air spray gun (F) from an air outlet of air regulator and filter (G) or from the gun air regulator kit (see **Accessories** on page 16).

Connect a fluid hose (E) between the 3/8 npt(m) fluid outlet ball valve (18) and the fluid inlet of air spray gun (F).

Operation

WARNING



PRESSURIZED EQUIPMENT HAZARD

This is a pressurized tank. Always follow the **Pressure Relief Procedure** on page 5 before opening the tank cover or fill port. This reduces the risk of serious injury, including splashing in the eyes or on the skin, or injury from moving parts. These injuries can result if the tank pressure is not fully relieved.

Preparing the Fluid

Prepare the fluid according to the manufacturer's instructions. Strain the fluid to remove large particles that could clog the spray gun or the siphon tube.

Filling the Tank

1. Before filling the tank, follow the **Pressure Relief Procedure** on page 5.
2. Place fluid into the tank by one of the following methods:
 - a. Remove the cover and place a 5-gallon pail of fluid in the 5-gallon tank (see **Dimensions**, page 17).
 - b. Remove the cover and place a 5-gallon antistatic polyethylene liner in the 5-gallon tank. Pour the fluid into the antistatic polyethylene liner (see **Accessories**, page 16).
3. Fill the tank through the fill port in the cover, or remove the cover and pour fluid directly into the tank. Do not exceed the suggested capacity (5, 10 or 15 gallons) of your tank.

NOTE: If a 5-gallon pail is used inside the tank, an adjustment is required to the agitator paddle position to avoid interference. See instruction manual 308371 for adjustment information.

4. Replace the cover or the filler cap (20) and tighten the c-clamp handles securely.

Operating the Pressure Tank

1. Close the tank air regulator (33) by turning the knob *counterclockwise* and turn on the air supply. See Fig. 2.
2. Open the air inlet ball valve (17).
3. Start and adjust the agitator (if it is used) as explained in the separate instruction manual 308371.
4. Adjust the tank air regulator (33) to the approximate pressure desired.
5. Open fluid outlet ball valve (18).
6. Turn on the atomizing air to the air spray gun. Test spray a small area and adjust the pressure as necessary. Always use the lowest possible air pressure to obtain the desired results.

WARNING



PRESSURIZED EQUIPMENT HAZARD

Overpressurizing the tank or accessories could cause a part to rupture. To reduce the risk of serious injury, including splashing in the eyes or on the skin, and property damage, never exceed the maximum air and fluid working pressure of the lowest rated component in your system.

CAUTION

Do not operate the agitator at a high speed for a long period of time. Excessive agitator speed can cause foaming of fluid (making the fluid unusable), vibration, and increased wear on the parts. Always agitate the fluid only enough to maintain even mixing.

Safety Relief Valve

A safety relief valve (4) will automatically relieve the tank pressure when the air pressure exceeds 95 to 100 psi (0.5 to 0.6 MPa, 6.5 to 7 bar). Refer to Fig. 2 or the parts drawings.

Each week, check the working order of the safety relief valve. *Only as a test*, raise the air pressure to 95 to 105 psi (0.5 to 0.6 MPa, 6.5 to 7.1 bar). If the safety relief valve does not relieve the pressure, replace it immediately. Do not attempt to repair it. The safety relief valve will reset automatically when the pressure is relieved.

Maintenance

Cleaning the Tank

1. First follow the **Pressure Relief Procedure** on page 5.
2. Follow the procedure below to force the fluid back through the hose and into the tank:
 - a. Loosen the spray gun air cap retaining ring about two turns.
 - b. Hold a rag over the air cap and trigger the gun for a few seconds, until the fluid is forced back into the tank.
3. Remove the tank cover.
4. Empty the fluid from the tank and pour a suitable amount of solvent into it.
5. Replace the tank cover and tighten the c-clamps.
6. Close the drain cock fitting (7).
7. Turn on the air supply.
8. Hold a metal part of the gun against a grounded metal waste container and trigger the gun into the waste container until clean solvent comes from the gun.
9. Remove the solvent from the system and wipe the inside of the tank and the rest of the equipment clean with a solvent-dampened rag.

See separate instruction manual 308371 for information on agitator maintenance.

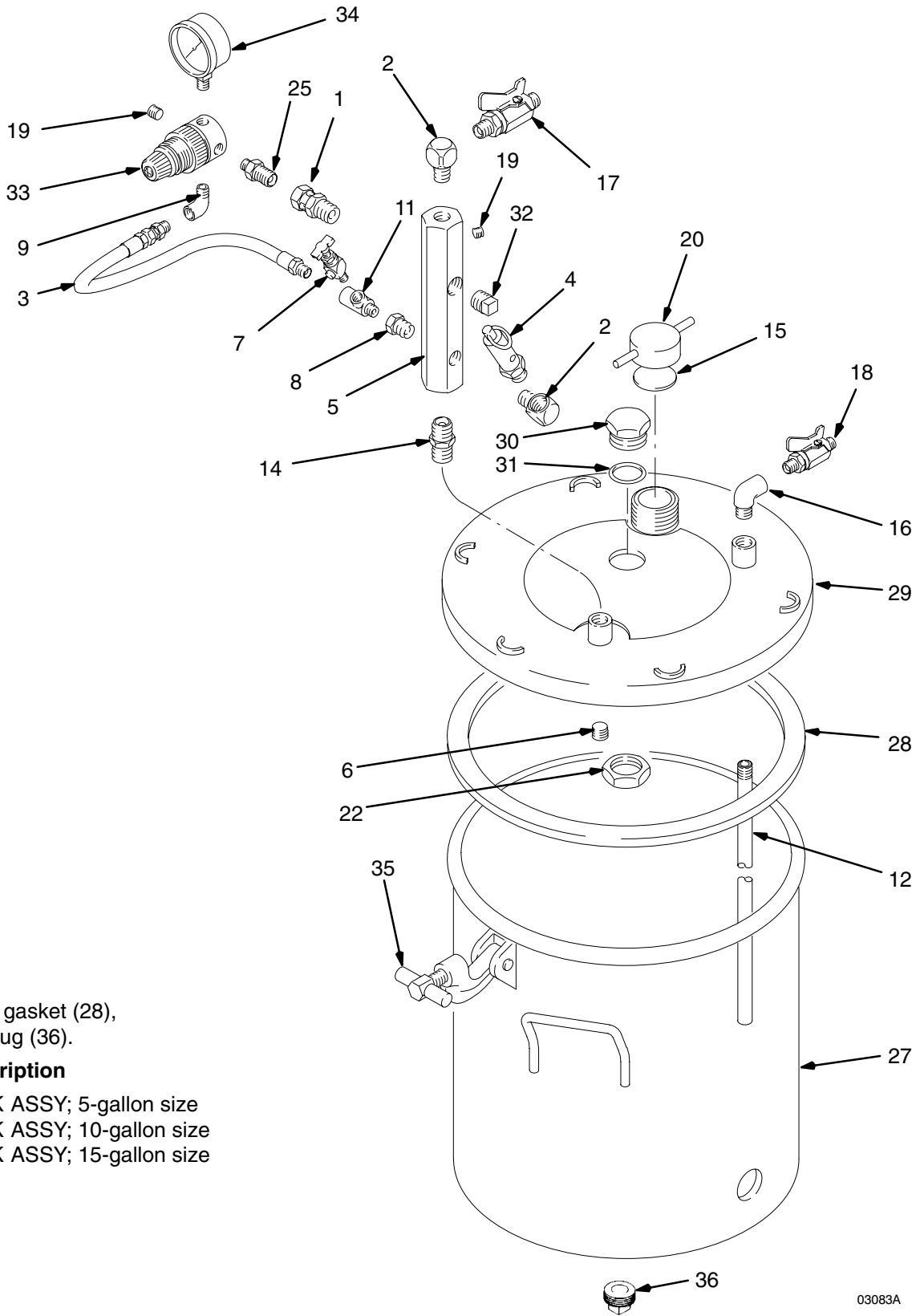
 CAUTION
--

Be sure that the solvent you use is compatible with the fluid being sprayed. Refer to the Technical Data section on page 19.

Parts

Low-Pressure Stainless Steel (ASME) Tanks

- Model 236143, 5-gallon size
- Model 236144, 10-gallon size
- Model 236145, 15-gallon size



Tank Assemblies include tank (27), gasket (28), cover (29), and plug (36).

Part No.	Description
236087	TANK ASSY; 5-gallon size
236088	TANK ASSY; 10-gallon size
236089	TANK ASSY; 15-gallon size

03083A

Parts

Low-Pressure Stainless Steel (ASME) Tanks

Model 236143, 5-gallon size

Model 236144, 10-gallon size

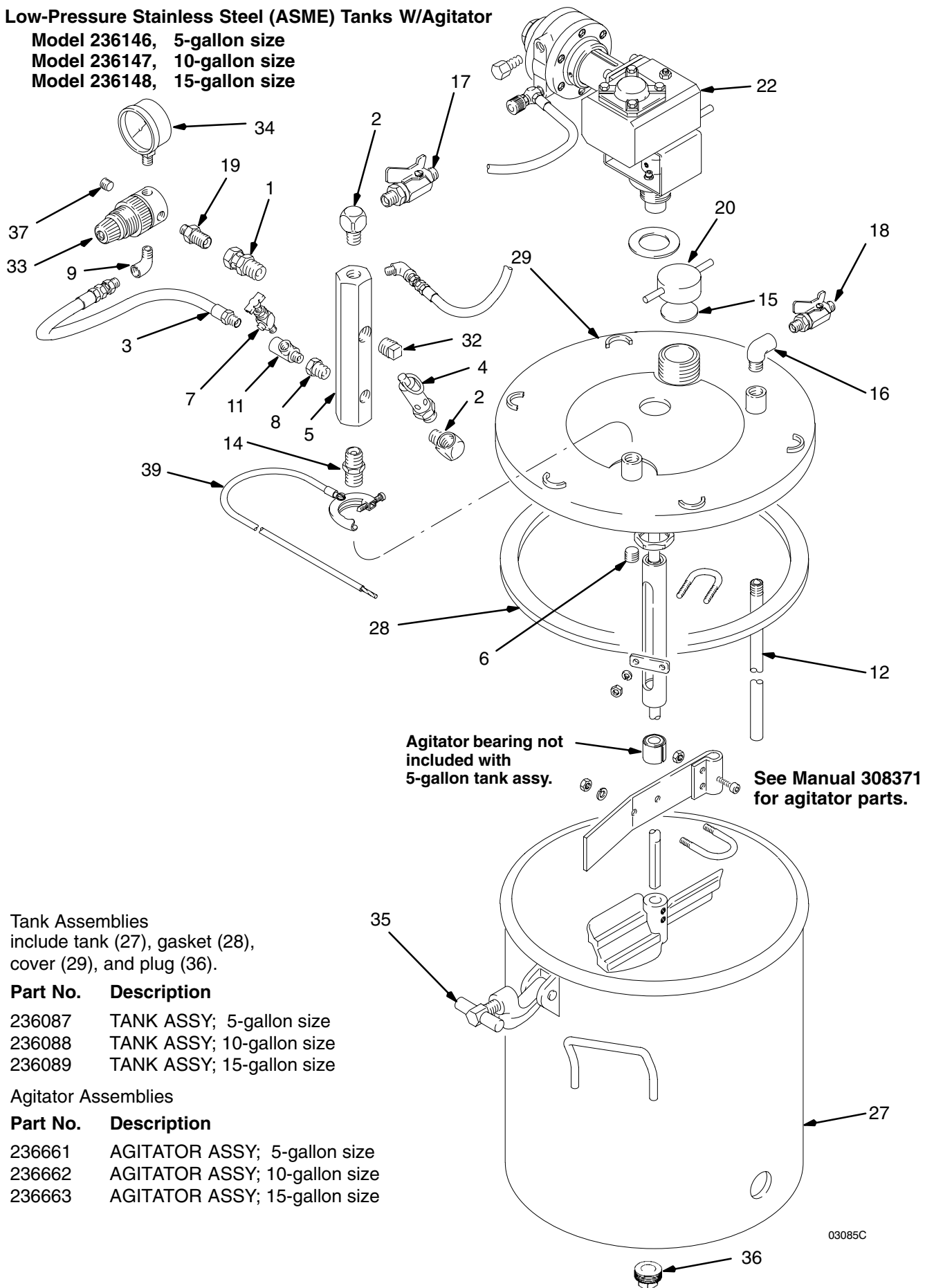
Model 236145, 15-gallon size

Ref. No.	Part No.	Description	Qty.	Ref. No.	Part No.	Description	Qty.
1	110476	ADAPTER, union, straight swivel; 3/8 npt(m) to 1/4 npsm(f)	2	22	188784	NUT, jam; 1-1/2-12-unf-2b; sst	1
2	100840	ELBOW, street; 1/4-18 npt(m x f)	2	25	151519	NIPPLE, reducing; 1/4-1/8 npt	1
3	164724	HOSE, coupled; 400 wpr; 1/8-27 npt(m)	1	27	236087	TANK; 5-gallon size; sst Includes items 28, 29 & 36	1
4	103347	VALVE, safety, 100 psi (0.7 Mpa, 7 bar); 1/4-18 npt(m)	1		236088	TANK; 10-gallon size; sst Includes items 28, 29 & 36	1
5	189016	MANIFOLD, air inlet; 3/8-18 npt; 1/4-18 npt	1		236089	TANK; 15-gallon size; sst Includes items 28, 29 & 36	1
6	112306	PLUG, pipe; 3/8-18 npt; sst	1	28✓	117571	GASKET; Santoprene®	1
7	101759	FITTING, drain cock	1	29		COVER, tank; sst	1
8	100030	BUSHING; 1/8-27 npt(f) x 1/4-18 npt(m)	1	30	188880	PLUG, lid; sst	1
9	112307	ELBOW, street, 90°; 1/8-27 npt(f) x 1/8-27 npt(m)	1	31✓	103414	O-RING, packing; Viton®	1
11	110475	TEE, street; zinc plated steel; 1/8-27 npt(f) x 1/8-27 npt(m)	1	32	104813	PLUG, pipe; 3/8-18 npt	1
12	171976	TUBE; 5-gallon size; sst	1	33✓	111501	REGULATOR; 0 to 15 psi (0 to 0.1 MPa, 0 to 1 bar)	1
	171975	TUBE; 10-gallon size; sst	1	34✓	110444	GAUGE, pressure, air; 0 to 15 psi (0 to 0.1 MPa, 0 to 1 bar)	1
	171974	TUBE; 15-gallon size; sst	1	35✓†	110143	T-HANDLE	6
14	156849	NIPPLE, pipe; 3/8-18 npt	1	36		PLUG, bottom; 3/4-14 npt	1
15✓	171988	GASKET; chlororene rubber and cork	1	38‡		LINER, antistatic polyethylene; (not shown)	1
16	110756	ELBOW, street, 90°; 3/8 npt x 3/8 npt; sst	1	✓ <i>Keep these spare parts on hand to reduce down time.</i>			
17✓	208390	VALVE, ball; 1/4-18 npt(m) See 307068 for parts	1	† <i>A C-clamp replacement Kit is available. It includes the T-handle, C-clamp, pin, and cotter pin. Order 111381.</i>			
18✓	237533	VALVE, ball; sst; 3/8-18 npsm(m x f), See 307068 for parts	1	‡ <i>To purchase a box of antistatic polyethylene liners, see Accessories on page 16.</i>			
19	100139	PLUG, pipe, headless; 1/8-27 npt	2	NOTE: <i>The 307 numbers in the descriptions refer to separate instruction manuals.</i>			
20	210575	CAP, filler	1				
21	176373	LABEL, Warning (not shown)	1				

Parts

Low-Pressure Stainless Steel (ASME) Tanks W/Agitator

Model 236146, 5-gallon size
 Model 236147, 10-gallon size
 Model 236148, 15-gallon size



Tank Assemblies include tank (27), gasket (28), cover (29), and plug (36).

Part No. Description

236087	TANK ASSY; 5-gallon size
236088	TANK ASSY; 10-gallon size
236089	TANK ASSY; 15-gallon size

Agitator Assemblies

Part No. Description

236661	AGITATOR ASSY; 5-gallon size
236662	AGITATOR ASSY; 10-gallon size
236663	AGITATOR ASSY; 15-gallon size

03085C

Parts

Low-Pressure Stainless Steel (ASME) Tanks W/Agitator

Model 236146, 5-gallon size

Model 236147, 10-gallon size

Model 236148, 15-gallon size

Ref. No.	Part No.	Description	Qty.	Ref. No.	Part No.	Description	Qty.
1	110476	ADAPTER, union, straight swivel; 3/8 npt(m) to 1/4 npsm(f)	2	22	236661	AGITATOR, pressure, tank; 5 gallon size; sst	1
2	100840	ELBOW, street; 1/4-18 npt(m x f)	2		236662	AGITATOR, pressure, tank; 10 gallon size; sst	1
3	164724	HOSE, coupled; 400 wpr; 1/8-27 npt(m)	1		236663	AGITATOR, pressure, tank; 15 gallon size; sst	1
4	103347	VALVE, safety, 100 psi (0.7 MPa, 7 bar); 1/4-18 npt(m)	1	27	236087	TANK; 5 gallon size; sst Includes items 28, 29 & 36	1
5	189016	MANIFOLD, air inlet; 3/8-18 npt; 1/4-18 npt	1		236088	TANK; 10 gallon size; sst Includes items 28, 29 & 36	1
6	112306	PLUG, pipe; 3/8-18 npt; sst	1		236089	TANK; 15 gallon size; sst Includes items 28, 29 & 36	1
7	101759	FITTING, drain cock	1	28✓	117571	GASKET; Santoprene®	1
8	100030	BUSHING; 1/8-27 npt(f) x 1/4-18 npt(m)	1	29		COVER, tank; sst	1
9	112307	ELBOW, street, 90°; 1/8-27 npt(f) x 1/8-27 npt(m)	1	32	104813	PLUG, pipe; 3/8-18 npt	1
11	110475	TEE, street; zinc plated steel; 1/8-27 npt(f) x 1/8-27 npt(m)	1	33✓	111501	REGULATOR; 0 to 15 psi (0 to 0.1 MPa, 0 to 1 bar)	1
12	171976	TUBE; 5 gallon size; sst	1	34✓	110444	GAUGE, pressure, air; 0-15 psi (0 to 0.1 MPa, 0 to 1 bar)	1
	171975	TUBE; 10 gallon size; sst	1	35✓†	110143	T-HANDLE	6
	171974	TUBE; 15 gallon size; sst	1				
14	156849	NIPPLE, pipe; 3/8-18 npt	1	36		PLUG, bottom; 3/4-14 npt	1
15✓	171988	GASKET; chlororene rubber and cork	1	37	100139	PLUG, pipe; 1/8 npt	1
16	110756	ELBOW, street, 90°; 3/8 npt x 3/8 npt; sst	1	38‡		LINER, antistatic polyethylene; (not shown)	1
17✓	208390	VALVE, ball; 1/4-18 npt(m) See 307068 for parts	1	39	222011	CLAMP, grounding	1
18✓	237533	VALVE, ball; sst; 3/8-18 npsm(m x f), See 307068 for parts	1	✓ Keep these spare parts on hand to reduce down time.			
19	151519	NIPPLE, reducing; 1/4-1/8 npt	1	† A C-clamp replacement Kit is available. It includes the T-handle, C-clamp, pin, and cotter pin. Order 111381.			
20	210575	CAP, filler	1	‡ To purchase a box of antistatic polyethylene liners, see Accessories on page 16.			
21	176373	LABEL, Warning (not shown)	1				

NOTE: The 307 numbers in the descriptions refer to separate instruction manuals.

Parts

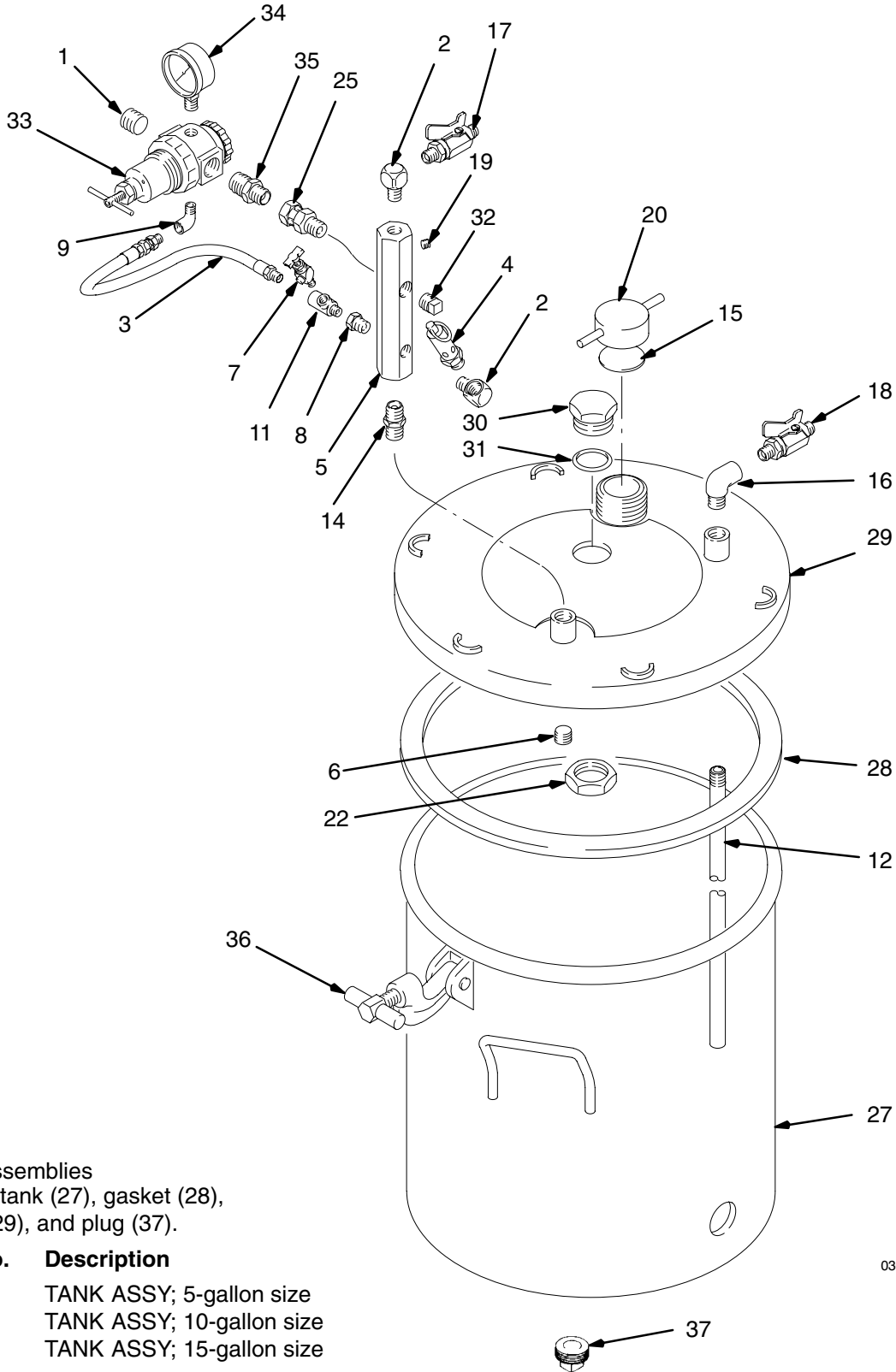
High-Pressure Stainless Steel (ASME) Tanks

Model 236149, 5-gallon size, includes items 1–38

Model 236150, 10-gallon size, includes items 1–38

Model 243589, 10-gallon size, includes items 2–16, 19–22, 27–32, 36–38

Model 236151, 15-gallon size, includes items 1–38



Tank Assemblies include tank (27), gasket (28), cover (29), and plug (37).

Part No.	Description
236087	TANK ASSY; 5-gallon size
236088	TANK ASSY; 10-gallon size
236089	TANK ASSY; 15-gallon size

03087A

Parts

High-Pressure Stainless Steel (ASME) Tanks

Model 236149, 5-gallon size, includes items 1–38

Model 236150, 10-gallon size, includes items 1–38

Model 243589, 10-gallon size, includes items 2–16, 19–22, 27–32, 36–38

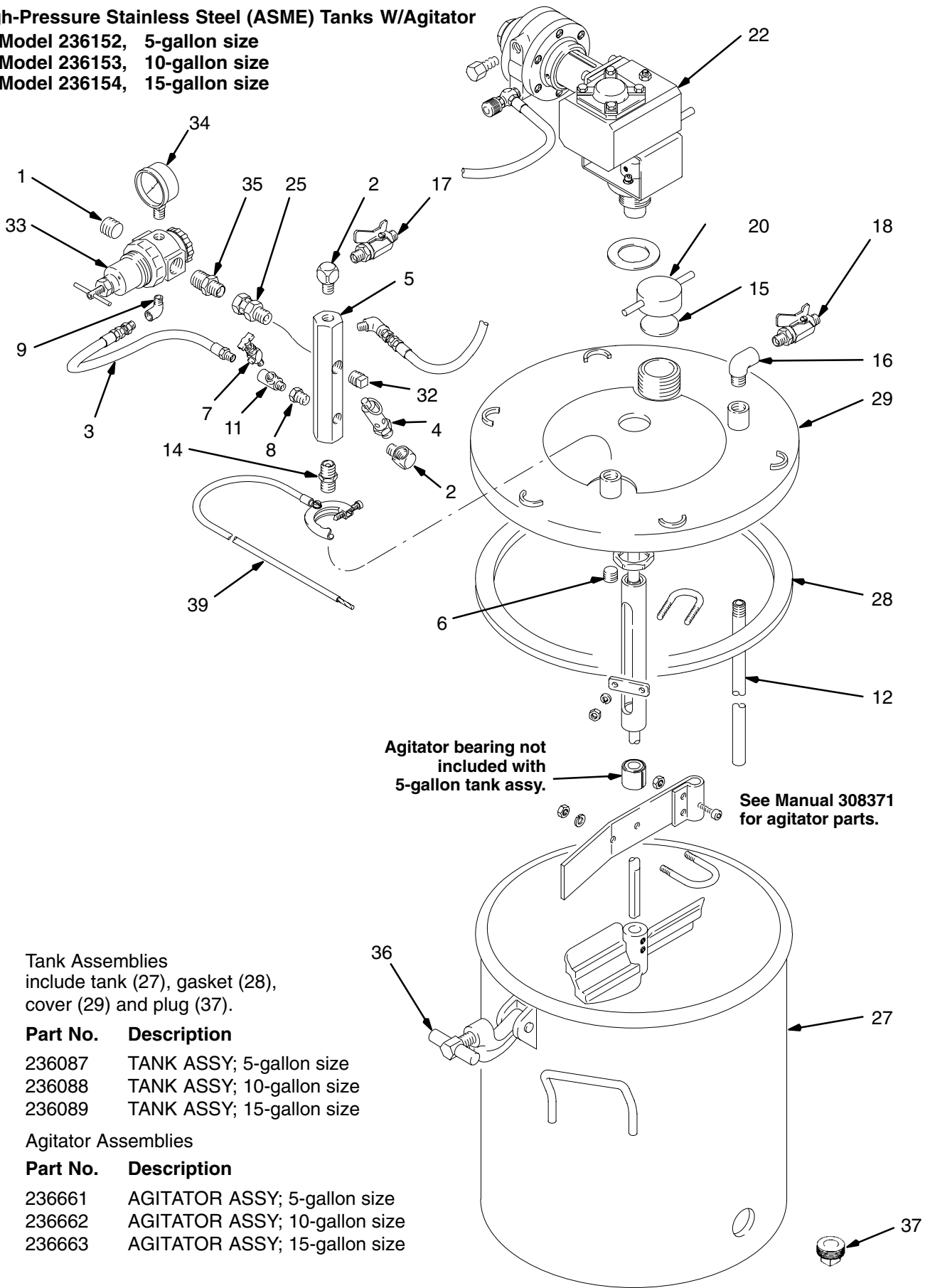
Model 236151, 15-gallon size, includes items 1–38

Ref. No.	Part No.	Description	Qty.	Ref. No.	Part No.	Description	Qty.
1*	100361	PLUG, pipe, headless; 1/2-14 npt(f)	1	27	236087	TANK; 5-gallon size; sst Includes items 28, 29 & 37	1
2	100840	ELBOW, street; 1/4-18 npt(m x f)	2		236088	TANK; 10-gallon size; sst Includes items 28, 29 & 37	1
3	164724	HOSE, coupled; 400 wpr; 1/8-27 npt(m)	1		236089	TANK; 15-gallon size; sst Includes items 28, 29 & 37	1
4	103347	VALVE, safety, 100 psi (0.7 MPa, 7 bar); 1/4-18 npt(m)	1	28✓	117571	GASKET; Santoprene®	1
5	189016	MANIFOLD, air inlet; 3/8-18 npt; 1/4-18 npt	1	29		COVER, tank; sst	1
6	112306	PLUG, pipe; 3/8-18 npt; sst	1	30	188880	PLUG, lid; sst	1
7	101759	FITTING, drain cock	1	31✓	103414	O-RING, packing; Viton®	1
8	100030	BUSHING; 1/8-27 npt(f) x 1/4-18 npt(m)	1	32	104813	PLUG, pipe; 3/8-18 npt	1
9	112538	ELBOW, street, 90°; 1/8-27 npt(f) x 1/4-18 npt(m)	1	33*✓	171937	REGULATOR, air; 2 to 125 psi (0.01 to 0.8 MPa, 0.1 to 9 bar)	1
11	110475	TEE, street; zinc plated steel; 1/8-27 npt(f) x 1/8-27 npt(m)	1	34*✓	160430	GAUGE, pressure, air; 0 to 100 psi (0 to 0.7 MPa, 0 to 7 bar)	1
12	171976	TUBE; 5-gallon size; sst	1	35*	159239	NIPPLE, pipe, reducing; 1/2-14 npt x 3/8-18 npt	1
	171975	TUBE; 10-gallon size; sst	1	36✓†	110143	T-HANDLE	6
	171974	TUBE; 15-gallon size; sst	1	37		PLUG, bottom; 3/4-14 npt	1
14	156849	NIPPLE, pipe; 3/8-18 npt	1	38‡		LINER, antistatic polyethylene; (not shown)	1
15✓	171988	GASKET; chlororene rubber and cork	1	✓ <i>Keep these spare parts on hand to reduce down time.</i>			
16	110756	ELBOW, street, 90°; 3/8 npt x 3/8 npt; sst	1	† <i>A C-clamp replacement Kit is available. It includes the T-handle, C-clamp, pin, and cotter pin. Order 111381.</i>			
17*✓	208390	VALVE, ball; 1/4-18 npt(m) See 307068 for parts	1	‡ <i>To purchase a box of antistatic polyethylene liners, see Accessories on page 16.</i>			
18*✓	237533	VALVE, ball; sst; 3/8-18 npsm(m x f), See 307068 for parts	1	* <i>Not included with Model 243589.</i>			
19	100139	PLUG, pipe, headless; 1/8-27 nptf	1	NOTE: <i>The 307 numbers in the descriptions refer to separate instruction manuals.</i>			
20	210575	CAP, filler	1				
21	176373	LABEL, Warning (not shown)	1				
22	188784	NUT, jam; 1-1/2-12-unf-2b; sst	1				
25*	155665	UNION, adapter; 3/8 npt x 3/8 npsm	1				

Parts

High-Pressure Stainless Steel (ASME) Tanks W/Agitator

Model 236152, 5-gallon size
 Model 236153, 10-gallon size
 Model 236154, 15-gallon size



Tank Assemblies include tank (27), gasket (28), cover (29) and plug (37).

Part No.	Description
236087	TANK ASSY; 5-gallon size
236088	TANK ASSY; 10-gallon size
236089	TANK ASSY; 15-gallon size

Agitator Assemblies

Part No.	Description
236661	AGITATOR ASSY; 5-gallon size
236662	AGITATOR ASSY; 10-gallon size
236663	AGITATOR ASSY; 15-gallon size

Agitator bearing not included with 5-gallon tank assy.

See Manual 308371 for agitator parts.

Parts

High-Pressure Stainless Steel (ASME) Tanks W/Agitator

Model 236152, 5-gallon size

Model 236153, 10-gallon size

Model 236154, 15-gallon size

Ref. No.	Part No.	Description	Qty.	Ref. No.	Part No.	Description	Qty.
1	100361	PLUG, pipe, hdless; 1/2-14 npt(f)	1	27	236087	TANK; 5-gallon size; sst Includes items 28, 29 & 37	1
2	100840	ELBOW, street; 1/4-18 npt(m x f)	2		236088	TANK; 10-gallon size; sst Includes items 28, 29 & 37	1
3	164724	HOSE, coupled; 400 wpr; 1/8-27 npt(m)	1		236089	TANK; 15-gallon size; sst Includes items 28, 29 & 37	1
4	103347	VALVE, safety, 100 psi (0.7 Mpa, 7 bar); 1/4-18 npt(m)	1	28✓	117571	GASKET; Santoprene®	1
5	189016	MANIFOLD, air inlet; 3/8-18 npt; 1/4-18 npt	1	29		COVER, tank; sst	1
6	112306	PLUG, pipe; 3/8-18 npt; sst	1	32	104813	PLUG, pipe; 3/8-18 npt	1
7	101759	FITTING, drain cock	1	33✓	171937	REGULATOR, air; 2 to 125 psi (0.01 to 0.8 MPa, 0.1 to 9 bar)	1
8	100030	BUSHING; 1/8-27 npt(f) x 1/4-18 npt(m)	1	34✓	160430	GAUGE, pressure, air; 0 to 100 psi (0 to 0.7 MPa, 0 to 7 bar)	1
9	112538	ELBOW, street, 90°; 1/8-27 npt(f) x 1/4-18 npt(m)	1	35	159239	NIPPLE, pipe, reducing; 1/2-14 npt x 3/8-18 npt	1
11	110475	TEE, street; zinc plated steel; 1/8-27 npt(f) x 1/8-27 npt(m)	1	36✓†	110143	T-HANDLE	6
12	171976	TUBE; 5-gallon size; sst	1	37		PLUG, bottom	1
	171975	TUBE; 10-gallon size; sst	1	38‡		LINER, antistatic polyethylene; (not shown)	1
	171974	TUBE; 15-gallon size; sst	1				
14	156849	NIPPLE, pipe; 3/8-18 npt	1	39	222011	CLAMP, grounding	1
15✓	171988	GASKET; chlororene rubber and cork	1				
16	110756	ELBOW, street, 90°; 3/8 npt x 3/8 npt; sst	1				
17✓	208390	VALVE, ball; 1/4-18 npt(m) See 307068 for parts	1				
18✓	237533	VALVE, ball; sst; 3/8-18 npsm(m x f), See 307068 for parts	1				
19	176373	LABEL, Warning (not shown)	1				
20	210575	CAP, filler	1				
21	155665	UNION, adapter; 3/8 npt x 3/8 npsm	1				
22	236661	AGITATOR, pressure, tank; 5-gallon size; sst	1				
	236662	AGITATOR, pressure, tank; 10-gallon size; sst	1				
	236663	AGITATOR, pressure, tank; 15-gallon size; sst	1				

✓ Keep these spare parts on hand to reduce down time.

† A C-clamp replacement Kit is available. It includes the T-handle, C-clamp, pin, and cotter pin. Order 111381.

‡ To purchase a box of antistatic polyethylene liners, see **Accessories** on page 16.

NOTE: The 307 numbers in the descriptions refer to separate instruction manuals.

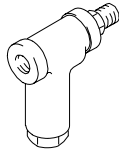
Accessories

Strainer

202271

300 psi (2.1 MPa, 21 bar) Maximum Working Pressure

Install at the tank air inlet to remove dirt and moisture from the air supply, or at the tank fluid outlet to remove particles from the paint which could clog the spray gun nozzle.



Buna-N Air Supply Hose

200 psi (1.4 MPa, 14 bar) Maximum Working Pressure

5/16" ID; cpld 1/4 npsm(f) swivel

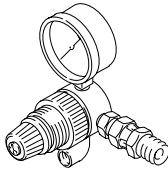
210866 15 ft (4.6 m) long

210867 25 ft (7.6 m) long

Low-Pressure Regulator Conversion Kit 235041

15 psi (0.1 MPa, 1 bar) Working Pressure. 0 to 15 psi (0 to 0.1 MPa, 0 to 1 bar) regulated pressure range

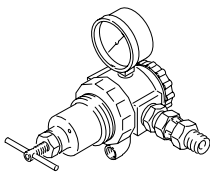
To convert to a low-pressure regulator assembly.



High-Pressure Regulator Conversion Kit 236680

100 psi (0.7 MPa, 7 bar) Working Pressure. 0 to 100 psi (0 to 0.7 MPa, 0 to 7 bar) regulated pressure range

To convert to a high-pressure regulator assembly.

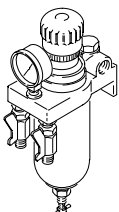


Air Regulator and Filter 202660

202660

100 psi (0.7 MPa, 7 bar) Maximum Working Pressure

For air regulation and filtration.

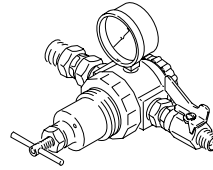


Gun Air Regulator Kit

235042

100 psi (0.7 MPa, 7 bar) Working Pressure

To supply atomizing air to a spray gun from the pressure pot.



Nylon Fluid Supply Hose

300 psi (2.1 MPa, 21 bar) Maximum Working Pressure

3/8" ID; cpld 3/8 npsm(fbe) swivel; neoprene cover

205160 15 ft (4.6 m) long

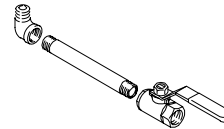
205142 25 ft (7.6 m) long

205143 50 ft (15.2 m) long

Bottom Outlet Kit

236677

For bottom outlet fluid feeding.



Standard Agitator Air Gearmotor Repair Kit 236675

For repair of worn air gear motors.

Heavy Duty Agitator

To convert from a standard agitator assembly to a heavy duty agitator assembly. Recommended for fluid viscosities over 800 cp.

236661 5-gallon tank size

236662 10-gallon tank size

236663 15-gallon tank size

C-clamp Replacement Kit

111381

To replace the pressure tank C-clamp assembly. The kit includes the T-handle, C-clamp, pin, and cotter pin.

Antistatic Polyethylene Tank Liners

Liners fit inside the tank. For ease of cleanup and maintenance.

15D059 5-gallon tank size (Quantity of 20)

15D060 10-gallon tank size (Quantity of 20)

15D061 15-gallon tank size (Quantity of 8)

Stainless Steel Agitator Paddle

186517

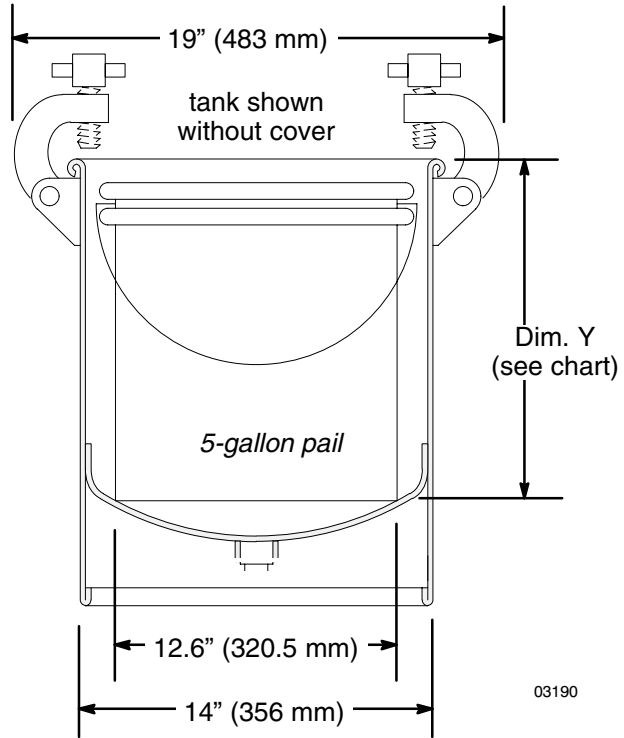
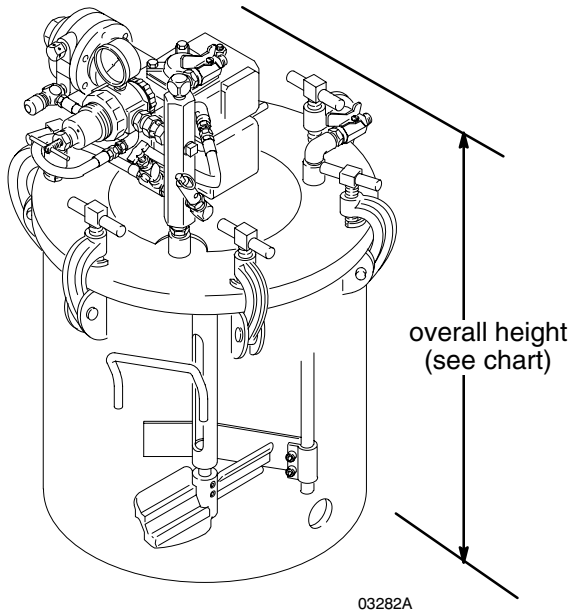
Material of 304 stainless steel welded construction. Replaces plastic agitator paddle 236098.

PTFE Coated Gasket

117574

Optional replacement for standard 117571 gasket.

Dimensions



Size	Model	Overall Height	Net Weight	Paint Bucket Dim. Y
5 Gallon	236143	30.5" (775 mm)	65 lb (30 kg)	13.19" (335 mm)
	236149	30.5" (775 mm)	65 lb (30 kg)	
	236146	30.5" (775 mm)	86 lb (39 kg)	
	236152	30.5" (775 mm)	74 lb (34 kg)	
10 Gallon	236144	33.87" (860 mm)	76 lb (35 kg)	18.19" (462 mm)
	236150	33.87" (860 mm)	76 lb (35 kg)	
	236147	33.87" (860 mm)	97 lb (44 kg)	
	236153	33.87" (860 mm)	85 lb (39 kg)	
15 Gallon	236145	44.57" (1132 mm)	92 lb (42 kg)	28.94" (735 mm)
	236151	44.57" (1132 mm)	92 lb (42 kg)	
	236148	44.57" (1132 mm)	113 lb (51 kg)	
	236154	44.57" (1132 mm)	101 lb (46 kg)	

Technical Data

Actual tank capacities

5-gallon size: 8.8 U.S. gal (33 liter)
10-gallon size: 12.6 U.S. gal (48 liter)
15-gal size: 19.3 U.S. gal (72 liter)

Maximum working pressure

Low pressure regulated tank: 15 psi
(0.1 MPa, 1 bar)
High pressure regulated tank: 100 psi
(0.7 Mpa, 7 bar)

Relief valve setting: 100 psi (0.7 MPa, 7 bar)

Standard agitator air consumption (continuous duty):

15 cfm (0.42 m³/min) at 60 rpm and 80 psi
(0.5 MPa, 5 bar) air supply pressure

Air inlet size: 1/4–18 npt(m)

Fluid outlet size: 3/8–18 npsm(m)

Bottom outlet size: 3/4–14 npt(f)

Weight: See chart on page 18.

Wetted parts

Models without agitator: 304 & 316 stainless steel,
Santoprene®, Zytel®, and Mylar®

Models with agitator: 304 & 316 stainless steel,
Santoprene®, Zytel®, Mylar®, Teflon®, and bronze

* Sound power level at
100 psi (0.7 MPa, 7 bar): 92 dBa

* Sound pressure level at
100 psi (0.7 MPa, 7 bar): 82 dBa

* *Sound power level and sound pressure level
measured per ISO 9614–2.*

*Zytel®, Mylar®, and Teflon® are registered trademarks
of the DuPont Company.*

*Santoprene® is a registered trademark of the
Advanced Elastomer Systems, L.P.*

Graco Standard Warranty

Graco warrants all equipment manufactured by Graco and bearing its name to be free from defects in material and workmanship on the date of sale to the original purchaser for use. With the exception of any special, extended, or limited warranty published by Graco, Graco will, for a period of twelve months from the date of sale, repair or replace any part of the equipment determined by Graco to be defective. This warranty applies only when the equipment is installed, operated and maintained in accordance with Graco's written recommendations.

This warranty does not cover, and Graco shall not be liable for general wear and tear, or any malfunction, damage or wear caused by faulty installation, misapplication, abrasion, corrosion, inadequate or improper maintenance, negligence, accident, tampering, or substitution of non-Graco component parts. Nor shall Graco be liable for malfunction, damage or wear caused by the incompatibility of Graco equipment with structures, accessories, equipment or materials not supplied by Graco, or the improper design, manufacture, installation, operation or maintenance of structures, accessories, equipment or materials not supplied by Graco.

This warranty is conditioned upon the prepaid return of the equipment claimed to be defective to an authorized Graco distributor for verification of the claimed defect. If the claimed defect is verified, Graco will repair or replace free of charge any defective parts. The equipment will be returned to the original purchaser transportation prepaid. If inspection of the equipment does not disclose any defect in material or workmanship, repairs will be made at a reasonable charge, which charges may include the costs of parts, labor, and transportation.

THIS WARRANTY IS EXCLUSIVE, AND IS IN LIEU OF ANY OTHER WARRANTIES, EXPRESS OR IMPLIED, INCLUDING BUT NOT LIMITED TO WARRANTY OF MERCHANTABILITY OR WARRANTY OF FITNESS FOR A PARTICULAR PURPOSE.

Graco's sole obligation and buyer's sole remedy for any breach of warranty shall be as set forth above. The buyer agrees that no other remedy (including, but not limited to, incidental or consequential damages for lost profits, lost sales, injury to person or property, or any other incidental or consequential loss) shall be available. Any action for breach of warranty must be brought within two (2) years of the date of sale.

Graco makes no warranty, and disclaims all implied warranties of merchantability and fitness for a particular purpose in connection with accessories, equipment, materials or components sold but not manufactured by Graco. These items sold, but not manufactured by Graco (such as electric motors, switches, hose, etc.), are subject to the warranty, if any, of their manufacturer. Graco will provide purchaser with reasonable assistance in making any claim for breach of these warranties.

In no event will Graco be liable for indirect, incidental, special or consequential damages resulting from Graco supplying equipment hereunder, or the furnishing, performance, or use of any products or other goods sold hereto, whether due to a breach of contract, breach of warranty, the negligence of Graco, or otherwise.

FOR GRACO CANADA CUSTOMERS

The parties acknowledge that they have required that the present document, as well as all documents, notices and legal proceedings entered into, given or instituted pursuant hereto or relating directly or indirectly hereto, be drawn up in English. Les parties reconnaissent avoir convenu que la rédaction du présente document sera en Anglais, ainsi que tous documents, avis et procédures judiciaires exécutés, donnés ou intentés à la suite de ou en rapport, directement ou indirectement, avec les procédures concernées.

Graco Information

TO PLACE AN ORDER, contact your Graco distributor, or call one of the following numbers to identify the distributor closest to you:

1-800-367-4023 Toll Free

612-623-6921

612-378-3505 Fax

All written and visual data contained in this document reflects the latest product information available at the time of publication. Graco reserves the right to make changes at any time without notice.

Sales Offices: Minneapolis, Detroit
International Offices: Belgium, Korea, Hong Kong, Japan

GRACO INC. P.O. BOX 1441 MINNEAPOLIS, MN 55440-1441

www.graco.com

PRINTED IN USA 308369 03/1994, Revised 09/2003