

# External Timer Control Unit User Guide

---

For use with the BlueWave® 200 Version 3.0

- Introduction
- Main Components
- System Setup
- Specifications
- Warranty



**About Dymax****UV/Visible light-curable adhesives. Systems for light curing, fluid dispensing, and fluid packaging.**

Dymax manufactures industrial adhesives, light-curable adhesives, epoxy resins, cyanoacrylates, and activator-cured adhesives. We also manufacture a complete line of manual fluid dispensing systems, automatic fluid dispensing systems, and light-curing systems. Light-curing systems include LED light sources, spot, flood, and conveyor systems designed for compatibility and high performance with Dymax adhesives.

Dymax adhesives and light-curing systems optimize the speed of automated assembly, allow for 100% in-line inspection, and increase throughput. System designs enable stand-alone configuration or integration into your existing assembly line.

Please note that most dispensing and curing system applications are unique. Dymax does not warrant the fitness of the product for the intended application. Any warranty applicable to the product, its application, and use is strictly limited to that contained in the Dymax standard Conditions of Sale. Dymax recommends that any intended application be evaluated and tested by the user to ensure that desired performance criteria are satisfied. Dymax is willing to assist users in their performance testing and evaluation by offering equipment trial rental and leasing programs to assist in such testing and evaluations.

# Contents

<b>Introduction .....</b>	<b>4</b>
Introduction to the User Guide .....	4
Where to Get Help .....	4
<b>Main Components .....</b>	<b>5</b>
<b>System Setup .....</b>	<b>6</b>
Setup & Operating Instructions.....	6
System Connections .....	7
<b>Specifications .....</b>	<b>8</b>
<b>Warranty.....</b>	<b>9</b>

# Introduction

## Introduction to the User Guide

This guide describes how to set up, use, and maintain the BlueWave® 200 Version 3.0's External Timer Control Unit safely and efficiently.

### Intended Audience

Dymax prepared this user guide for experienced process engineers, technicians, and manufacturing personnel. If you are new to high-intensity light sources and do not understand the instructions, contact Dymax Application Engineering for answers to your questions before using the equipment.

## Where to Get Help

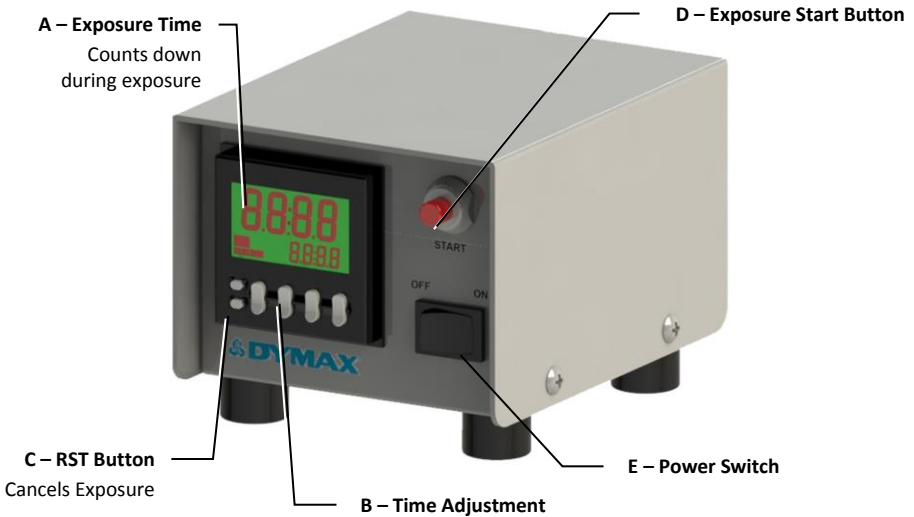
Dymax Customer Support and Application Engineering teams are available by phone in the United States, Monday through Friday, from 8:00 a.m. to 5:30 p.m. Eastern Standard Time. You can also email Dymax at [info@dymax.com](mailto:info@dymax.com). Contact information for additional Dymax locations can be found on the back cover of this user guide.

Additional resources are available to ensure a trouble-free experience with our products:

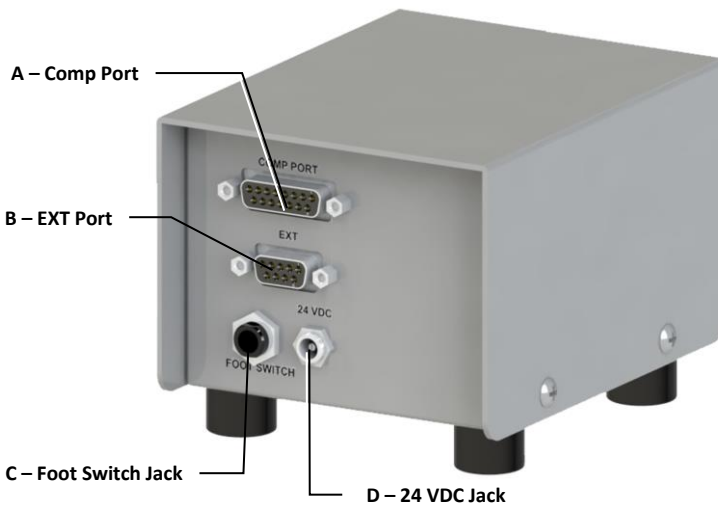
- Detailed product information on [www.dymax.com](http://www.dymax.com)
- Dymax adhesive product data sheets on our website
- Material safety data sheets (MSDS) provided with shipments of Dymax adhesives

# Main Components

**Figure 1. External Timer Control Unit – Front Panel**



**Figure 2. External Timer Control Unit – Rear Panel**



# System Setup

## Setup & Operating Instructions

1. Set the BlueWave® 200 Version 3.0 to PLC mode by pressing the Set Button on the faceplate. For more information on selecting modes, please refer to the unit's operation manual.

(Note: For steps 2 and 3 below, the cables with 15-Pin and 9-Pin D-Sub connectors are not included.)

2. Connect the Com Port on the back panel of the BlueWave® 200 Version 3.0 to the Comp Port (DB15) (Figure 2, A) located on the back panel of the External Timer Control Unit.
3. If applicable, connect the External Dry Contact Source to External Timer Control Unit through the EXT Port (DB9) (Figure 2, B) or the Foot Switch Jack (Figure 2, C).
4. Connect the supplied Power Adaptor to the External Timer Control Unit's 24 VDC Jack (Figure 2, D).
5. Turn on the Power Switch (Figure 1, E). The display will illuminate.
6. Using the Time Adjustment Buttons (Figure 1, B), set the desired exposure time.

*Note: The unit has a range of 000.0 to 999.9 seconds.*

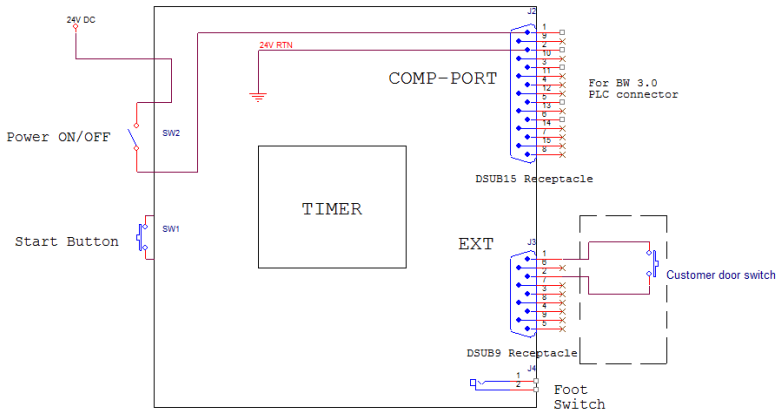
7. Press the Start Button (Figure 1, D), depress the Foot Switch, or activate the contacts connected to the EXT Port to start the exposure cycle.
8. During the exposure cycle the exposure time will count down and automatically reset when the cycle is completed.
9. Press the RST Button (Figure 1, C) on the timer at any time to cancel the exposure cycle and close the shutter

**For additional information, please contact Dymax Application Engineering.**

## System Connections

Figure 3 displays a block diagram which shows the connections for the unit.

**Figure 3. Block Diagram**



# Specifications



Property	Specification	
<b>Part Number</b>	<b>42050</b> External Control Unit Module	
<b>Power Requirements</b>	100-240 V, 50-60 Hz (auto ranging)	
<b>Output</b>	24V DC, 1.5A	
<b>Timer</b>	000.0 to 999.9 seconds	
<b>Activation</b>	Foot switch, start button, or EXT contact switch	
<b>AC/DC Adaptor Cable</b>	40" [100 cm]	
<b>I/O Port</b>	15-Pin D-Sub and 9-Pin D-Sub (Cable not included)	
<b>Signals (PLC Integration)</b>	Inputs	Shutter activate, shutter deactivate, lamp control, PLC enable
	Outputs	Unit status, temperature fault, shutter fault, lamp status, power status, shutter status, lightguide status, bulb life warning, bulb life expired
<b>Dimensions (W x D x H)</b>	5.0" L x 4.0" W x 3.5" H (127.0mm x 101.6mm x 88.9mm)	
<b>Weight</b>	Less than 2.2 lbs. [1 kg]	
<b>Unit Warranty</b>	1 year from purchase date	
<b>Operating Environment</b>	0 – 40 °C, non-condensing	
<b>Compatible Accessory</b>	<b>40402</b> , foot switch	
<b>Certifications</b>	RoHS	



# Warranty

From date of purchase, Dymax Corporation offers a one-year warranty against defects in material and workmanship on all system components with proof of purchase and purchase date. Unauthorized repair, modification, or improper use of equipment may void your warranty benefits. The use of aftermarket replacement parts not supplied or approved by Dymax Corporation, will void any effective warranties and may result in damage to the equipment.

***IMPORTANT NOTE:*** DYNAMAX CORPORATION RESERVES THE RIGHT TO INVALIDATE ANY WARRANTIES, EXPRESSED OR IMPLIED, DUE TO ANY REPAIRS PERFORMED OR ATTEMPTED ON DYNAMAX EQUIPMENT WITHOUT WRITTEN AUTHORIZATION FROM DYNAMAX. THOSE CORRECTIVE ACTIONS LISTED ABOVE ARE LIMITED TO THIS AUTHORIZATION.

**Dymax Corporation**

+1.860.482.1010

info@dymax.com

[www.dymax.com](http://www.dymax.com)

**Dymax Oligomers & Coatings**

+1.860.626.7006

info\_oc@dymax.com

[www.dymax-oc.com](http://www.dymax-oc.com)

**Dymax Europe GmbH**

+49 (0) 611.962.7900

info\_de@dymax.com

[www.dymax.de](http://www.dymax.de)

**Dymax Engineering  
Adhesives Ireland Ltd.**

+353 21.237.3016

info\_ie@dymax.com

[www.dymax.ie](http://www.dymax.ie)

**Dymax UV Adhesives &  
Equipment (Shenzhen) Co Ltd**

+86.755.83485759

dymaxasia@dymax.com

[www.dymax.com.cn](http://www.dymax.com.cn)

**Dymax UV Adhesives &  
Equipment (Shanghai) Co Ltd**

+86.21.37285759

dymaxasia@dymax.com

[www.dymax.com.cn](http://www.dymax.com.cn)

**Dymax Asia (H.K.) Limited**

+852.2460.7038

dymaxasia@dymax.com

[www.dymax.com.cn](http://www.dymax.com.cn)

**Dymax Korea LLC**

+82.2.784.3434

info\_kr@dymax.com

[www.dymax.com/kr](http://www.dymax.com/kr)

**Dymax Asia Pacific Pte. Ltd.**

+65.6752.2887

info\_ap@dymax.com

[www.dymax-ap.com](http://www.dymax-ap.com)



© 2016 Dymax Corporation. All rights reserved. All trademarks in this guide, except where noted, are the property of, or used under license by Dymax Corporation, U.S.A.

Please note that most curing system applications are unique. Dymax does not warrant the fitness of the product for the intended application. Any warranty applicable to the product, its application and use is strictly limited to that contained in Dymax standard Conditions of Sale published on our website. Dymax recommends that any intended application be evaluated and tested by the user to ensure that desired performance criteria are satisfied. Dymax is willing to assist users in their performance testing and evaluation by offering equipment trial rental and leasing programs to assist in such testing and evaluations.

MAN078 3/24/2016