

## SG-150

### Hand-Held Standard and High-Flow Spray Gun Systems

- Available in both standard and high-flow models
- All wetted spray gun components are stainless steel, PTFE, or perfluoroelastomer
- Compatible with Dymax packages of UV/Visible light-curable conformal coatings and masking materials
- Pneumatically operated, no electrical power required
- Sealed fluid body with no exposure to ambient conditions
- Lightweight, ergonomic spray gun design with low trigger resistance
- System packages equipped with high-quality, precision air regulators supplied for precise fluid control and air atomization
- Air filter regulator includes an integrated shutoff valve and pressure exhaust to quickly and safely depressurize the system, eliminating the need for the operator to open and close the regulator
- Made with easy-to-open, swing-down toggles on the bottle and pail reservoirs

Dymax SG-150 hand-held spray guns, available in both standard and high-flow models, provide a solution to manually spraying fluids for masking and coating applications. The SG-150-RS standard-flow spray gun is ideal for dispensing fluids with viscosity lower than 10,000 cP, while the SG-150-RH is better suited for spraying fluids with viscosity of 10,000 cP and higher.

Both SG-150 models utilize a normally closed, stainless steel needle valve to control fluid flow and have a dual-acting air cylinder that provides immediate start/stop functionality. A stroke adjustment on the valve can be used to fine tune the flow rate and a precision air regulator/gauge assembly simultaneously activates the atomizing air while the valve is opened, and fluid is flowing. The standard model is fitted with a round spray cap that provides a circular spray pattern. An optional flat spray cap is available if a linear or flat spray pattern is preferred.

The guns' design incorporates a durable, light-weight, cast metal handle with pneumatic trigger mechanism so no additional electronic controls are required to activate the spray. The operator effortlessly controls the spray by manually pulling or releasing the trigger.

# Spray Gun Specifications

|                                      |   |
|--------------------------------------|---|
| <b>Activation</b>                    | Manually Controlled - Trigger Actuated  |
| <b>Electrical Power Requirements</b> | None  |
| <b>Air Pressure Required</b>         | Valve Operation: 60 psi [4.14 bar] to 100 psi [6.89 bar]<br>Atomizing Air: 0 psi [0 bar] to 15 psi [1.03 bar] (Standard-flow Spray Gun)<br>0 psi [0 bar] to 30 psi [2.06 bar] (High-flow Spray Gun) |
| <b>Spray Pattern</b>                 | Round Air Cap (standard): 0.25" - 1.0" [6.35 mm - 25.40 mm]<br>Flat Air Cap (optional accessory): 0.50" - 2.0" [12.70 mm - 50.80 mm]  |
| <b>Flow Rate</b>                     | Standard flow: 0.3 mL/sec (spraying 25,000 cP thixotropic fluid)<br>High flow: 2.0 mL/sec (spraying 25,000 cP thixotropic fluid)  |
| <b>Fluid Input Fitting</b>           | 3/8 tube push in; accepts 3/8" OD tubing  |
| <b>Dimensions (L x W x H)</b>        | Spray Gun Assembly 8" x 4" x 8" (20.5 cm x 10.2 cm x 20.5 cm)<br>Air Regulator Stand 8" x 9" x 9" (20.5 cm x 22.8 cm x 22.8 cm)   |
| <b>Weight</b>                        | Spray Gun Assembly 1.7 lb (0.8 kg)<br>Air Regulator Stand 6.6 lb (3.0 kg)   |
| <b>Spray Gun Warranty</b>            | 1 year from purchase (excludes soft seals)  |

## Typical Spray Applications

- Conformal coating of circuit boards
- Masking of turbines or other metal surfaces before surface treatments
- Masking medical implants before finishing treatments
- Spraying solvents for cleaning part surfaces
- Coating large parts with grease or other lubrication before assembly

## Available System Packages\*

Systems Include:

- Hand-held Spray Gun with Needle Valve and Controlling Air Regulators
- Air Line Kit - ¼" (6.3 mm) OD tubing with fitting on one end
- Air Filter/Regulator - 0-100 psi (0-6.9 bar)
- Selected Reservoir for Fluid Package Used
- Fluid Line Kit - 6 ft of black ⅜" (9.5 mm) OD tubing
- Air Line Kit - ¼" (6.3 mm) OD tubing
- Spray Gun Stand
- Air Precision Regulator - Includes three pressure gauges:
  - 0-30 psi (0-2 bar) for very low- to medium-viscosity materials
  - 0-60 psi (0-4.1 bar) for medium-viscosity materials
  - 0-100 psi (0-6.9 bar) for high-viscosity materials

|  |                | Select System Based on Fluid Package Used |  |  |  |   |  |  |
|--|----------------|---|--|--|--|---|--|--|
| System Part Numbers in Blue  | Spray Gun Only | Cartridge Drop-In                         |  |  | Large Bottle Drop-In   | Pail Drop-In  | Mini Ram Pump  | Ram Pump   |
|  |                | 6 oz [160 mL]                             | 12 oz [300 mL]   | 20 oz [550 mL]   | Up to 1 Gallon   | Up to 15 Liters Straight or Taper   | Up to 3.8 Liters   | 5 Gallons  |
|  |                |   |  |  |  |  |  |  |
| <b>SG-150-RS Standard-Flow Spray System</b><br>(use with materials <10,000 cP) | T18435         | T18440                                    | T18445   | T18450   | T18455   | T18465  | -  | -  |
| <b>SG-150-RH High-Flow Spray System</b><br>(use with materials >10,000 cP)     | T18449         | T18442                                    | T18446   | T18451   | T18456   | T18466  | T17848   | T18470 (Straight)<br>T18471 (Tapered)  |

\* Complete systems without a gun assembly are available upon request. Contact Dymax Application Engineering for more information.



6 oz (160 mL)



12 oz (300 mL)



20 oz (550 mL)

Cartridge Drop-In Reservoirs



Bottle Drop-In Reservoir



Pail Drop-In Reservoir



Mini Ram Pump

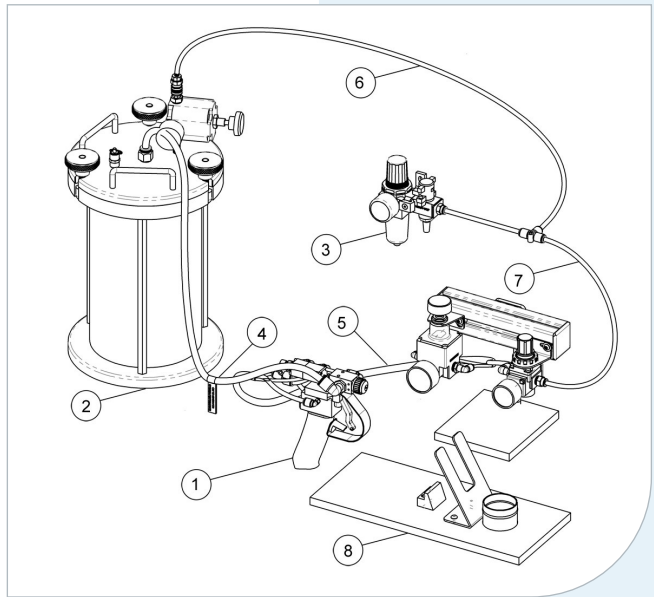


Ram Pump

| Item | Part Number | Description   |
|------|-------------|---|
| 1    | T16624      | SG150-RS Standard-Flow Spray Gun with Round Air Cap                 |
| 2    | T17004      | Large Bottle Drop-In Tank Assembly with High-Precision Regulator    |
| 3    | T16307      | Filter Regulator  |
| 4    | T16787      | Fluid Line Kit - Black 3/8" OD PE, 6 Ft                             |
| 5    | T16793      | Fluid Line Kit - Black 1/4" OD PE, 6 Ft<br><b>(Sold Separately)</b> |
| 6    | T16789      | Reservoir Air Line Kit  |
| 7    | T16786      | Control Air Line Kit  |
| 8    | T15454      | Spray Gun Stand   |

| System Specifications |                                |
|-----------------------|--------------------------------|
| Compressed Air Supply | 80 to 100 psi (5.5 to 6.9 bar) |

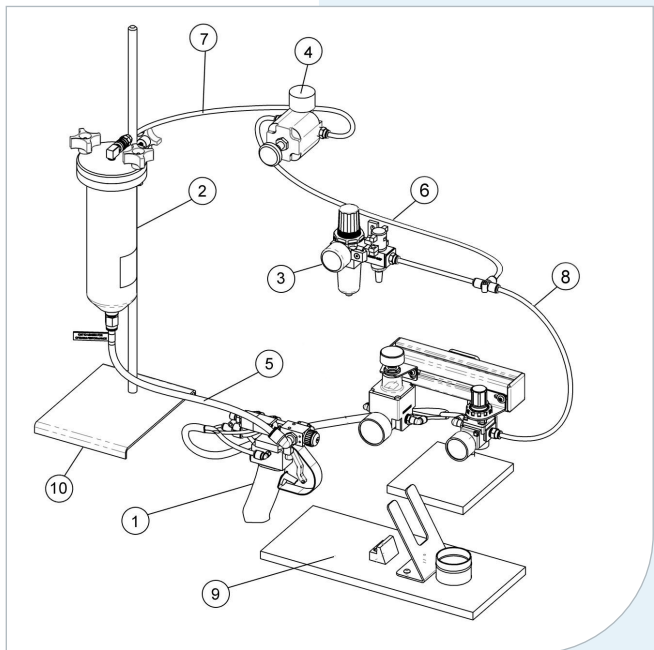
Representative SG150-RS Spray Dispensing System  
(T18455 with Large Bottle Reservoir Shown Below)



| Item | Part Number | Description   |
|------|-------------|---|
| 1    | T18449      | SG150-RH High-Flow Spray Gun with Round Air Cap                     |
| 2    | T15223      | 550 mL (20 oz) Reservoir  |
| 3    | T16307      | Filter Regulator  |
| 4    | T16629      | High-Precision Regulator  |
| 5    | T16787      | Fluid Line Kit - Black 3/8" OD PE, 6 Ft                             |
| 6    | T16793      | Fluid Line Kit - Black 1/4" OD PE, 6 Ft<br><b>(Sold Separately)</b> |
| 7    | T16789      | Reservoir Air Line Kit  |
| 8    | T16786      | Control Air Line Kit  |
| 9    | T15454      | Spray Gun Stand   |
| 10   | T15279      | 24" Lab Stand   |

| System Specifications |                                |
|-----------------------|--------------------------------|
| Compressed Air Supply | 80 to 100 psi (5.5 to 6.9 bar) |

Representative SG150-RH Spray Dispensing System  
(T18451 with Cartridge Reservoir Shown Below)

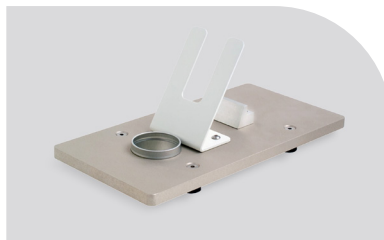


## Accessories & Spare Parts

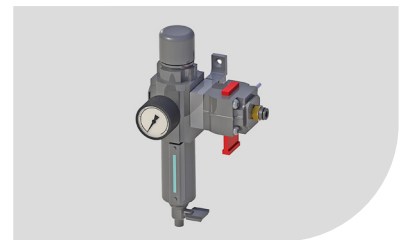
| Part Number               | Description                                     |
|---------------------------|---|
| <b>Accessories</b>        |   |
| <b>T15697</b>             | Flat Spray Air Cap                              |
| <b>T15454</b>             | Front Closing Stand with Drip Cup               |
| <b>T16307</b>             | Air Filter Regulator with Air Shut Off          |
| <b>T16629</b>             | High-Precision Air Regulator for Fluid Pressure |
| <b>T16787</b>             | Fluid Line Kit - 3/8" OD, Polyethylene          |
| <b>T16793</b>             | Fluid Line Kit - 1/4" OD, Polyethylene          |
| <b>Valves</b>             |   |
| <b>T16396</b>             | Standard-Flow Spray Valve                       |
| <b>T17287</b>             | High-Flow Spray Valve                           |
| <b>Valve Rebuild Kits</b> |   |
| <b>T18524</b>             | Standard-Flow Spray Valve Rebuild Kit           |
| <b>T18526</b>             | High-Flow Spray Valve Rebuild Kit               |
| <b>Misc</b>               |   |
| <b>T17304</b>             | Collar, Air Cap Fasten                          |



**T15697** Flat Spray Air Cap



**T15454** Front Closing Stand with Drip Cup



**T16307** Air Filter Regulator with Air Shut Off



**T15454** High-Precision Air Regulator for Fluid Pressure



**T16787** Fluid Line Kit - 3/8" OD, Polyethylene



**T16793** Fluid Line Kit - 1/4" OD, Polyethylene

